

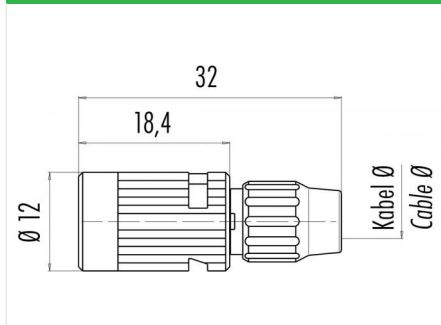
Product description Bayonet female cable connector, Contacts: 8, 4.0 - 5.0 mm, unshielded, solder, IP40

Area Bayonet series 710  
Order number 99 9480 102 08

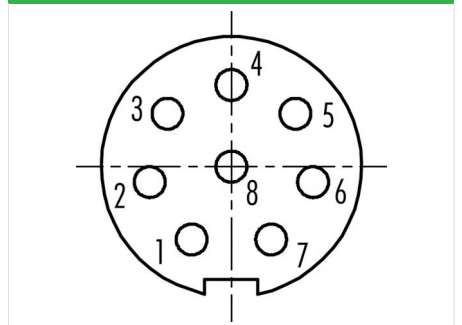
### Illustration



### Scale drawing



### Contact arrangement (Plug-in side)



You can find the component part drawing on the next page.

## Technical data

### General values

Connector design	female cable connector
Connector locking system	Bayonet
Termination	solder
Wire gauge (mm)	max. 0.14 mm <sup>2</sup>
Wire gauge (AWG)	max. AWG 26
Cable outlet	4.0 - 5.0 mm
Upper limit temperature	85 °C
Lower limit temperature	-40 °C
Customs tariff number	85369010

### Electrical values

Rated current (40 °C)	1 A
Rated voltage	125 V
Rated impulse voltage	1500 V
Pollution degree	1
Overvoltage category	II
Insulating material group	III
Insulation resistance	≥ 10 <sup>10</sup> Ω
EMC compliance	unshielded
Degree of protection	IP40
Mechanical operation	> 500 Mating cycles

### Material

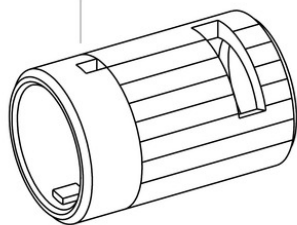
Contact material	CuSn (bronze)
Contact plating	Au (gold)
Contact body material	PA (UL94 V-0)
Housing material	PA
REACH SVHC	CAS 7439-92-1 (Lead)

Product description Bayonet female cable connector, Contacts: 8, 4.0 - 5.0 mm, unshielded, solder, IP40

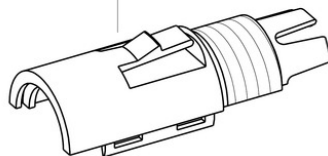
Area Bayonet series 710  
Order number 99 9480 102 08

### Component part drawing

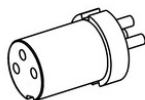
Gewinding Dose  
connection ring female connector



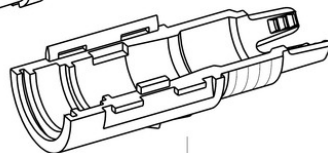
Trägerhalbschale-Oberteil (schwarz)  
carrier sleeve part 1 (black)



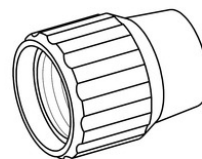
Buchseinsatz  
female insert



Trägerhalbschale-Unterteil (grau)  
carrier sleeve part 2 (grey)



Druckschraube  
pressing screw



Product description	<b>Bayonet female cable connector, Contacts: 8, 4.0 - 5.0 mm, unshielded, solder, IP40</b>
Area	<b>Bayonet series 710</b>
Order number	<b>99 9480 102 08</b>

## Security notices

The connector must not be plugged or unplugged under load. Non-observance and improper use can result in personal injury.

The connectors have been developed for applications in plant engineering, control and electrical equipment construction. The user is responsible for checking whether the connectors can also be used in other areas of application.

Connectors which are used in circuits with voltages dangerous to the touch may only be installed and used by, or under the supervision of, persons with electrical engineering training, taking into account the applicable regulations and standards.