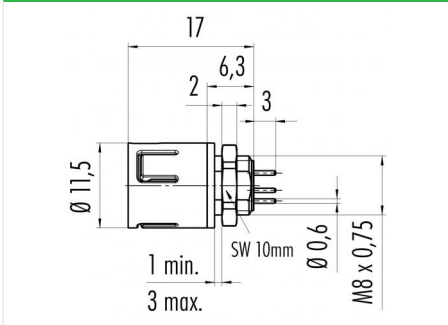


Product description Snap-In IP67 (subminiature) male panel mount connector, Contacts: 5, dip-solder, IP67
Area Snap-In IP67 (subminiature) series 620
Order number 99 9215 490 05

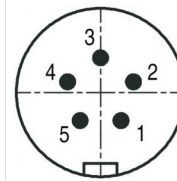
Illustration



Scale drawing



Contact arrangement (Plug-in side)



	X	Y
1	1,23	-1,70
2	2,00	0,65
3	0,00	2,10
4	-2,00	0,65
5	-1,23	-1,70

You can find the assembly instructions on the next page.

Technical data

General values

Connector design male panel mount connector
Connector locking system snap
Termination dip-solder
Upper limit temperature 85 °C
Lower limit temperature -25 °C
Customs tariff number 85369010

Electrical values

Rated current (40 °C) 2 A
Rated voltage 63 V
Rated impulse voltage 800 V
Pollution degree 2
Overvoltage category II
Insulating material group II
Insulation resistance $\geq 10^{10} \Omega$
Degree of protection IP67
Mechanical operation > 500 Mating cycles

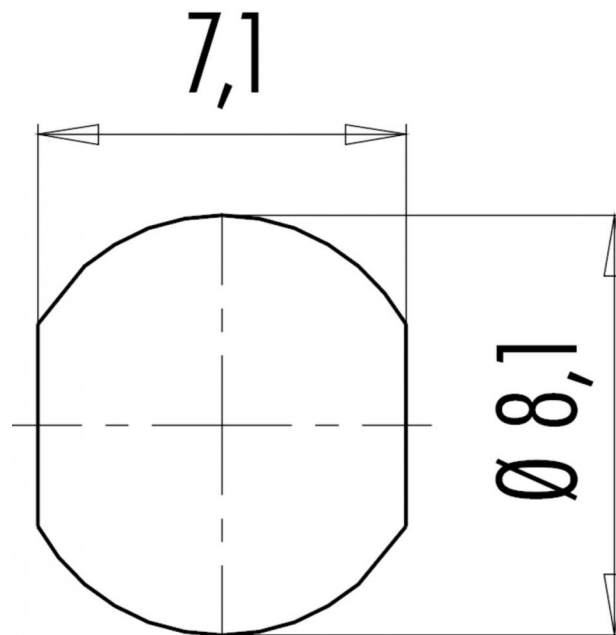
Material

Contact material CuZn (brass)
Contact plating Au (gold)
Contact body material PA (UL94 HB)
Housing material PA
REACH SVHC CAS 7439-92-1 (Lead)

Product description Snap-In IP67 (subminiature) male panel mount connector, Contacts: 5, dip-solder, IP67

Area Snap-In IP67 (subminiature) series 620
Order number 99 9215 490 05

Assembly instructions / Panel cut-out



Product description	Snap-In IP67 (subminiature) male panel mount connector, Contacts: 5, dip-solder, IP67
Area	Snap-In IP67 (subminiature) series 620
Order number	99 9215 490 05

Security notices

The connectors have been developed for applications in plant engineering, control and electrical equipment construction. The user is responsible for checking whether the connectors can also be used in other areas of application.

Plug connectors with enclosure protection IP 67 and IP 68 are not suitable for use under water. When used outdoors, the plug connectors must be protected separately against corrosion. For further information on the IP protection classes, please refer to the "Technical Information" download centre.