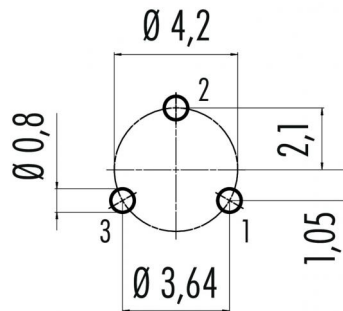


Product description Snap-In IP67 male panel mount connector, Contacts: 3, unshielded, solder, IP67
Area Snap-In IP67 series 620
Order number 99 9207 050 03

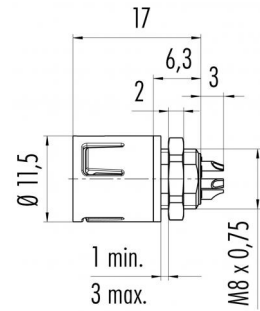
Illustration



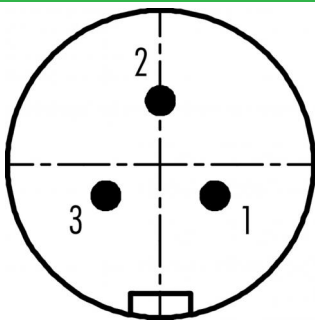
Conductor layout



Scale drawing



Contact arrangement (Plug-in side)



You can find the component part drawing and assembly instructions on the next page.

Technical data

General values

| | |
|--------------------------|----------------------------|
| Connector design | male panel mount connector |
| Connector locking system | snap |
| Termination | solder |
| Wire gauge (mm) | max. 0.25 mm ² |
| Wire gauge (AWG) | max. AWG 24 |
| Upper limit temperature | 85 °C |
| Lower limit temperature | -25 °C |
| Customs tariff number | 85369010 |

Electrical values

| | |
|---------------------------|----------------------|
| Rated current (40 °C) | 3 A |
| Rated voltage | 125 V |
| Rated impulse voltage | 1500 V |
| Pollution degree | 2 |
| Overvoltage category | II |
| Insulating material group | II |
| Insulation resistance | ≥ 10 ¹⁰ Ω |
| EMC compliance | unshielded |
| Degree of protection | IP67 |
| Mechanical operation | > 500 Mating cycles |

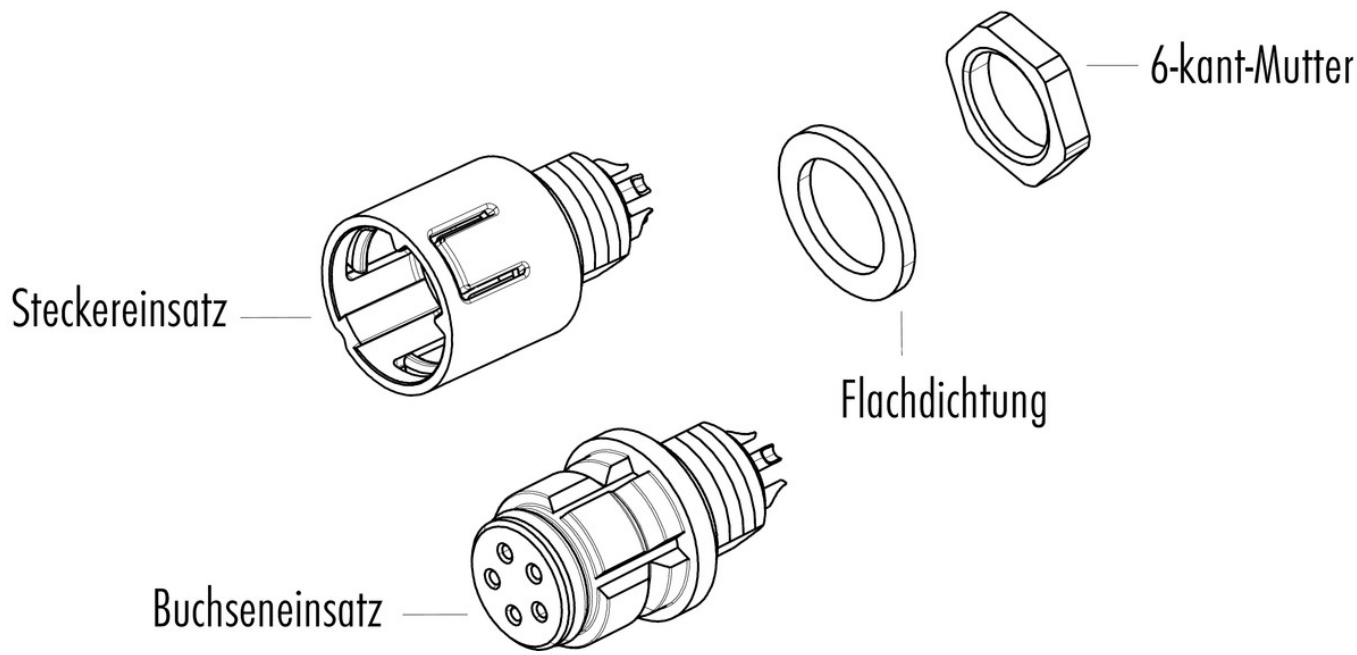
Material

| | |
|-----------------------|----------------------|
| Contact material | CuZn (brass) |
| Contact plating | Au (gold) |
| Contact body material | PA (UL94 HB) |
| Housing material | PA |
| REACH SVHC | CAS 7439-92-1 (Lead) |

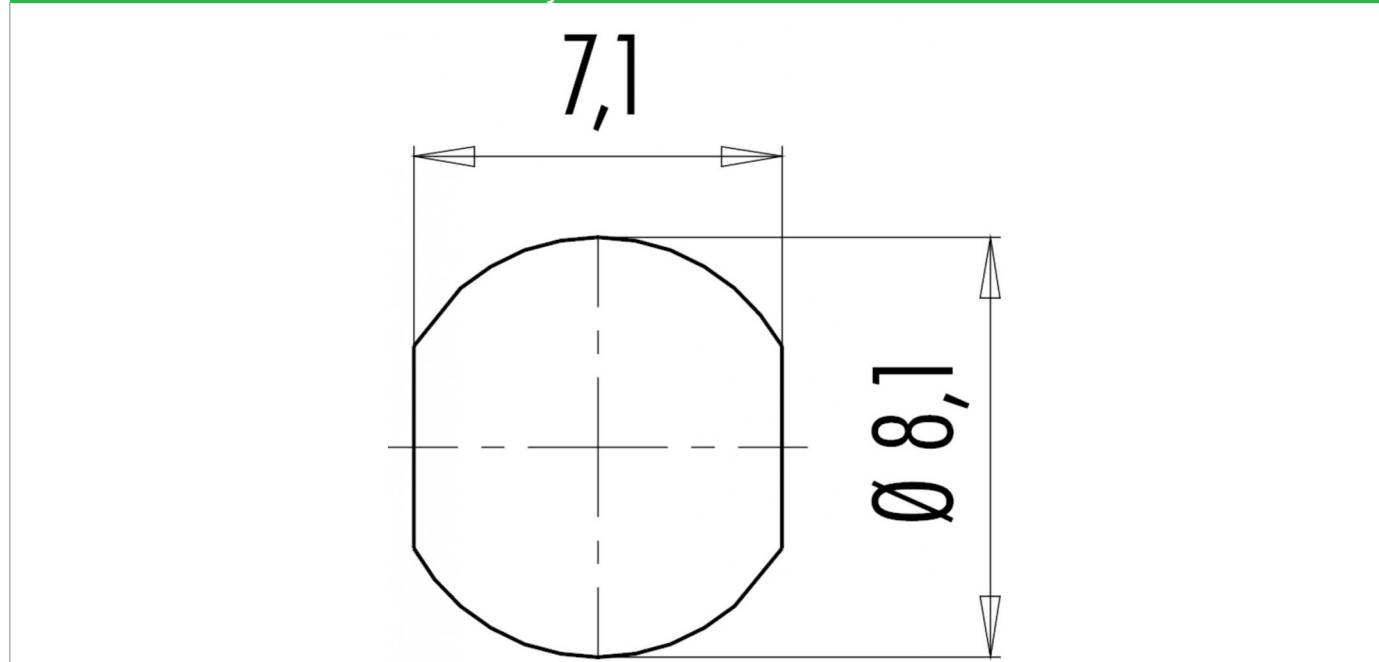
Product description Snap-In IP67 male panel mount connector, Contacts: 3, unshielded, solder, IP67

Area Snap-In IP67 series 620
Order number 99 9207 050 03

Component part drawing



Assembly instructions / Panel cut-out



| | |
|---------------------|--|
| Product description | Snap-In IP67 male panel mount connector, Contacts: 3, unshielded, solder, IP67 |
| Area | Snap-In IP67 series 620 |
| Order number | 99 9207 050 03 |

Security notices

The connector must not be plugged or unplugged under load. Non-observance and improper use can result in personal injury.

The connectors have been developed for applications in plant engineering, control and electrical equipment construction. The user is responsible for checking whether the connectors can also be used in other areas of application.

To protect against unintentional opening of the connector, the thread between the housing and the connector head must be secured with a suitable cyanoacrylate adhesive when used in circuits with voltages dangerous to the touch. This does not apply to connectors used in SELV and PELV circuits according to IEC 61140 (EN 61140, VDE 0140-1).

Plug connectors with enclosure protection IP 67 and IP 68 are not suitable for use under water. When used outdoors, the plug connectors must be protected separately against corrosion. For further information on the IP protection classes, please refer to the "Technical Information" download centre.