

Product description	Snap-In IP67 female panel mount connector, Contacts: 12, unshielded, dip-solder, IP67, VDE
Area	Snap-In IP67 series 720
Order number	99 9136 090 12

Illustration	Scale drawing	Contact arrangement (Plug-in side)

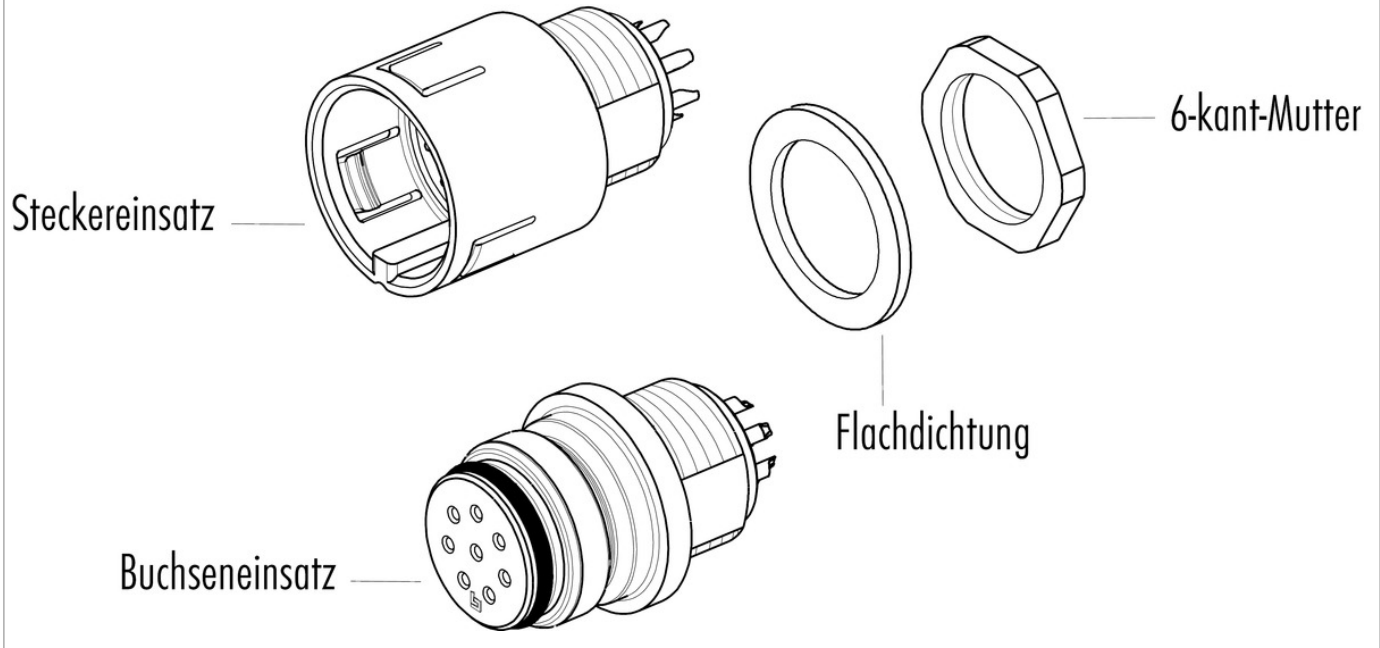
You can find the component part drawing and assembly instructions on the next page.

Technical data

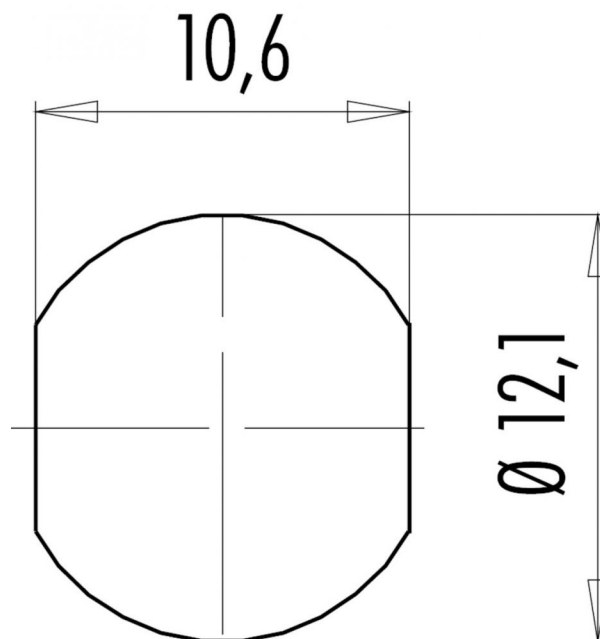
<h3 style="color: #e91e63; margin: 0;">General values</h3> <table border="0" style="width: 100%;"> <tr> <td style="width: 30%;">Connector design</td> <td>female panel mount connector</td> </tr> <tr> <td>Connector locking system</td> <td>snap</td> </tr> <tr> <td>Termination</td> <td>dip-solder</td> </tr> <tr> <td>Wire gauge (mm)</td> <td>max. 0.25 mm²</td> </tr> <tr> <td>Wire gauge (AWG)</td> <td>max. AWG 24</td> </tr> <tr> <td>Upper limit temperature</td> <td>85 °C</td> </tr> <tr> <td>Lower limit temperature</td> <td>-25 °C</td> </tr> <tr> <td>Customs tariff number</td> <td>85369010</td> </tr> </table>		Connector design	female panel mount connector	Connector locking system	snap	Termination	dip-solder	Wire gauge (mm)	max. 0.25 mm ²	Wire gauge (AWG)	max. AWG 24	Upper limit temperature	85 °C	Lower limit temperature	-25 °C	Customs tariff number	85369010	<h3 style="color: #e91e63; margin: 0;">Electrical values</h3> <table border="0" style="width: 100%;"> <tr> <td style="width: 30%;">Rated current (40 °C)</td> <td>2 A</td> </tr> <tr> <td>Rated voltage</td> <td>60 V</td> </tr> <tr> <td>Rated impulse voltage</td> <td>800 V</td> </tr> <tr> <td>Pollution degree</td> <td>2</td> </tr> <tr> <td>Overvoltage category</td> <td>II</td> </tr> <tr> <td>Insulating material group</td> <td>II</td> </tr> <tr> <td>Insulation resistance</td> <td>≥ 10¹⁰ Ω</td> </tr> <tr> <td>EMC compliance</td> <td>unshielded</td> </tr> <tr> <td>Degree of protection</td> <td>IP67</td> </tr> <tr> <td>Mechanical operation</td> <td>> 500 Mating cycles</td> </tr> </table>		Rated current (40 °C)	2 A	Rated voltage	60 V	Rated impulse voltage	800 V	Pollution degree	2	Overvoltage category	II	Insulating material group	II	Insulation resistance	≥ 10 ¹⁰ Ω	EMC compliance	unshielded	Degree of protection	IP67	Mechanical operation	> 500 Mating cycles
Connector design	female panel mount connector																																						
Connector locking system	snap																																						
Termination	dip-solder																																						
Wire gauge (mm)	max. 0.25 mm ²																																						
Wire gauge (AWG)	max. AWG 24																																						
Upper limit temperature	85 °C																																						
Lower limit temperature	-25 °C																																						
Customs tariff number	85369010																																						
Rated current (40 °C)	2 A																																						
Rated voltage	60 V																																						
Rated impulse voltage	800 V																																						
Pollution degree	2																																						
Overvoltage category	II																																						
Insulating material group	II																																						
Insulation resistance	≥ 10 ¹⁰ Ω																																						
EMC compliance	unshielded																																						
Degree of protection	IP67																																						
Mechanical operation	> 500 Mating cycles																																						
<h3 style="color: #e91e63; margin: 0;">Material</h3> <table border="0" style="width: 100%;"> <tr> <td style="width: 30%;">Contact material</td> <td>CuSn (bronze)</td> </tr> <tr> <td>Contact plating</td> <td>Au (gold)</td> </tr> <tr> <td>Contact body material</td> <td>PA (UL94 V-0)</td> </tr> <tr> <td>Housing material</td> <td>PA</td> </tr> <tr> <td>REACH SVHC</td> <td>CAS 7439-92-1 (Lead)</td> </tr> </table>		Contact material	CuSn (bronze)	Contact plating	Au (gold)	Contact body material	PA (UL94 V-0)	Housing material	PA	REACH SVHC	CAS 7439-92-1 (Lead)	<h3 style="color: #e91e63; margin: 0;">authorization/approvals</h3> <table border="0" style="width: 100%;"> <tr> <td style="width: 30%;">Approval 1</td> <td>VDE</td> </tr> </table>		Approval 1	VDE																								
Contact material	CuSn (bronze)																																						
Contact plating	Au (gold)																																						
Contact body material	PA (UL94 V-0)																																						
Housing material	PA																																						
REACH SVHC	CAS 7439-92-1 (Lead)																																						
Approval 1	VDE																																						

Product description	Snap-In IP67 female panel mount connector, Contacts: 12, unshielded, dip-solder, IP67, VDE
Area	Snap-In IP67 series 720
Order number	99 9136 090 12

Component part drawing



Assembly instructions / Panel cut-out



Product description	Snap-In IP67 female panel mount connector, Contacts: 12, unshielded, dip-solder, IP67, VDE
Area	Snap-In IP67 series 720
Order number	99 9136 090 12

Security notices

The connectors have been developed for applications in plant engineering, control and electrical equipment construction. The user is responsible for checking whether the connectors can also be used in other areas of application.

Plug connectors with enclosure protection IP 67 and IP 68 are not suitable for use under water. When used outdoors, the plug connectors must be protected separately against corrosion. For further information on the IP protection classes, please refer to the "Technical Information" download centre.