

| | |
|---------------------|---|
| Product description | M16 IP67 male cable connector, Contacts: 4, 6.0 - 8.0 mm, shieldable, screw clamp, IP67, UL |
| Area | M16 IP67 series 423 |
| Order number | 99 5609 210 04 |

| Illustration | Scale drawing | Contact arrangement (Plug-in side) |
|--------------|---------------|------------------------------------|
| | | |

You can find the component part drawing on the next page.

Technical data

General values

| | |
|--------------------------|----------------------------|
| Connector design | male cable connector |
| Connector locking system | screw |
| Termination | screw clamp |
| Wire gauge (mm) | 0.25 - 1.5 mm ² |
| Wire gauge (AWG) | AWG 24 - 16 |
| Cable outlet | 6.0 - 8.0 mm |
| Upper limit temperature | 95 °C |
| Lower limit temperature | -30 °C |
| Customs tariff number | 85369010 |

Electrical values

| | |
|---------------------------|----------------------|
| Rated current (40 °C) | 6 A |
| Rated voltage | 250 V |
| Rated impulse voltage | 1500 V |
| Pollution degree | 1 |
| Overvoltage category | I |
| Insulating material group | III |
| Insulation resistance | ≥ 10 ¹⁰ Ω |
| EMC compliance | shieldable |
| Degree of protection | IP67 |
| Mechanical operation | > 500 Mating cycles |

Material

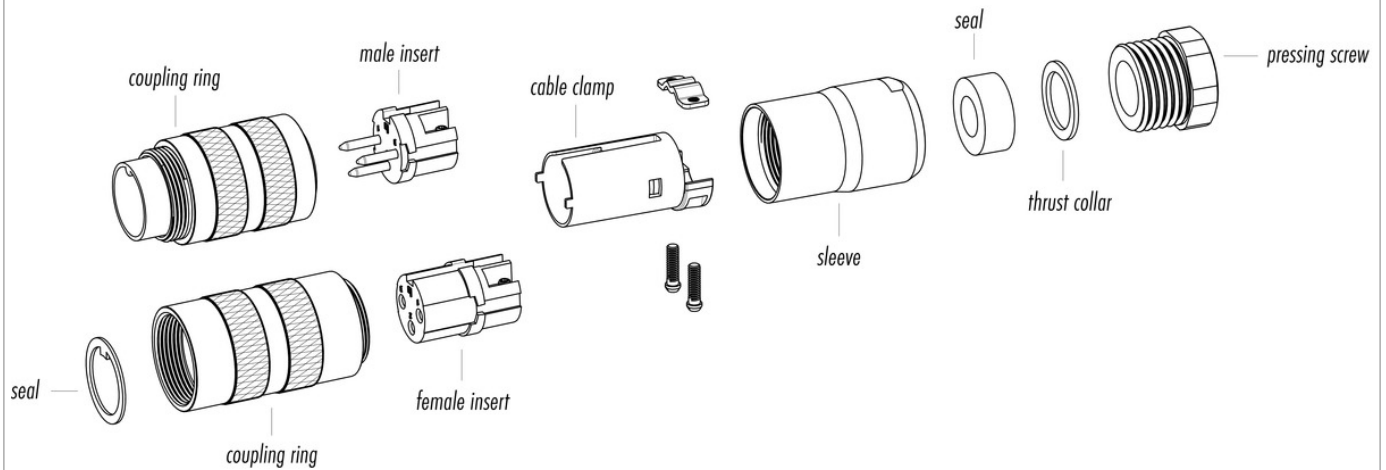
| | |
|-----------------------|----------------------|
| Contact material | CuZn (brass) |
| Contact plating | Ag (silver) |
| Contact body material | PBT (UL94 V-0) |
| REACH SVHC | CAS 7439-92-1 (Lead) |

authorization/approvals

| | |
|------------|----|
| Approval 1 | UL |
|------------|----|

| | |
|---------------------|---|
| Product description | M16 IP67 male cable connector, Contacts: 4, 6.0 - 8.0 mm, shieldable, screw clamp, IP67, UL |
| Area | M16 IP67 series 423 |
| Order number | 99 5609 210 04 |

Component part drawing



| | |
|---------------------|---|
| Product description | M16 IP67 male cable connector, Contacts: 4, 6.0 - 8.0 mm, shieldable, screw clamp, IP67, UL |
| Area | M16 IP67 series 423 |
| Order number | 99 5609 210 04 |

Security notices

The connector must not be plugged or unplugged under load. Non-observance and improper use can result in personal injury.

The connectors have been developed for applications in plant engineering, control and electrical equipment construction. The user is responsible for checking whether the connectors can also be used in other areas of application.

Connectors which are used in circuits with voltages dangerous to the touch may only be installed and used by, or under the supervision of, persons with electrical engineering training, taking into account the applicable regulations and standards.

Plug connectors with enclosure protection IP 67 and IP 68 are not suitable for use under water. When used outdoors, the plug connectors must be protected separately against corrosion. For further information on the IP protection classes, please refer to the "Technical Information" download centre. The plug connector is not suitable for mains voltages. Please observe the pollution degree and the overvoltage category. For further information, please refer to the download center "Technical Information".

To lock the cable connector with the device connector, the threaded ring is tightened "hand-tight" (approx. 50 cNm).