

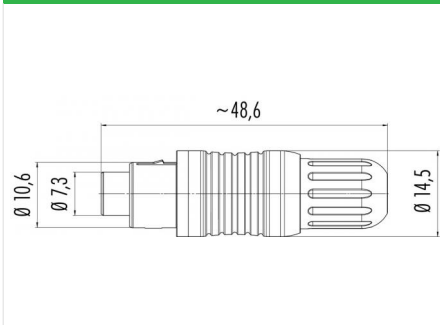
Product description Push-Pull female cable connector, Contacts: 5, 3.5 - 5.0 mm, shieldable, solder, IP67

Area Push-Pull series 430
Order number 99 4914 00 05

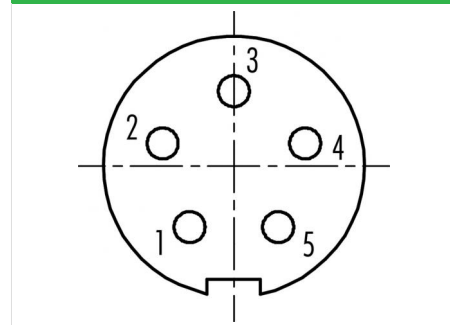
Illustration



Scale drawing



Contact arrangement (Plug-in side)



You can find the component part drawing and assembly instructions on the next page.

Technical data

General values

Connector design	female cable connector
Connector locking system	Push-Pull
Termination	solder
Wire gauge (mm)	max. 0.25 mm ²
Wire gauge (AWG)	max. AWG 24
Cable outlet	3.5 - 5.0 mm
Upper limit temperature	85 °C
Lower limit temperature	-40 °C
Customs tariff number	85369010

Electrical values

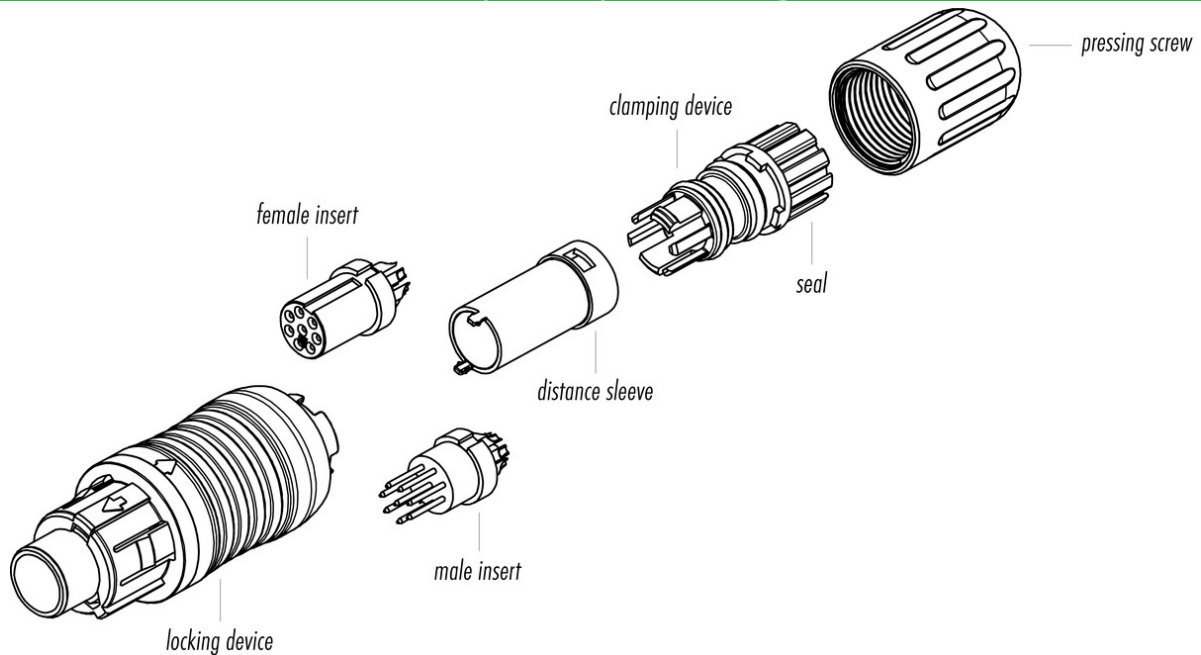
Rated current (40 °C)	3 A
Rated voltage	125 V
Rated impulse voltage	1500 V
Pollution degree	2
Overvoltage category	I
Insulating material group	II
EMC compliance	shieldable
Degree of protection	IP67
Mechanical operation	> 500 Mating cycles

Material

Contact material	CuSn (bronze)
Contact plating	Au (gold)
Contact body material	PUR/PA
Housing material	PA
Locking material	CuZn (Brass nickel plated)
REACH SVHC	CAS 7439-92-1 (Lead)

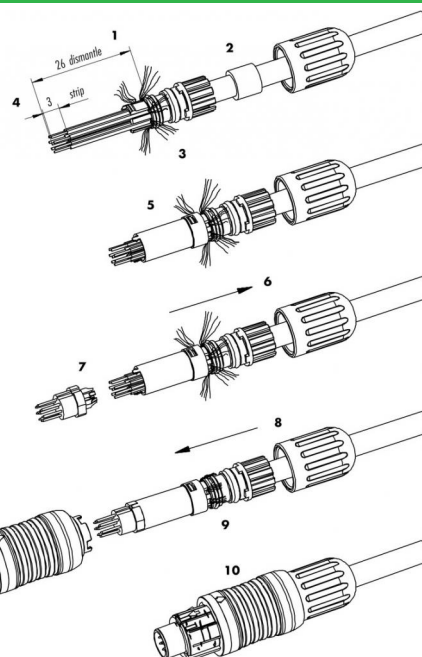
Product description	Push-Pull female cable connector, Contacts: 5, 3.5 - 5.0 mm, shieldable, solder, IP67
Area	Push-Pull series 430
Order number	99 4914 00 05

Component part drawing



Assembly instructions / Panel cut-out

- Strip to 26mm length but do not take off cable jacket.
- Bead pressing screw and clamp device to cable. Mount sealing ring to clamp device. Remove cable jacket.
- Fan out and comb shielding braid.
- Strip the insulation off the wires and tin them.
- Snap in distance sleeve and clamp device.
- Solder wires to solder cups.
- Solder distance sleeve to sleeve.
- Push forward and snap in clamp device. Mount shielding braid around the crown.
- Strip off and shorten shielding braid in the direction of the shielding ring.
Too long: shielding braid on sealing ring - unright
Too short: no contact to wave washer
- Stick assembled unit into carrier sleeve and tighten pressing screw.



Product description	Push-Pull female cable connector, Contacts: 5, 3.5 - 5.0 mm, shieldable, solder, IP67
Area	Push-Pull series 430
Order number	99 4914 00 05

Security notices

The connector must not be plugged or unplugged under load. Non-observance and improper use can result in personal injury.

The connectors have been developed for applications in plant engineering, control and electrical equipment construction. The user is responsible for checking whether the connectors can also be used in other areas of application.

Connectors which are used in circuits with voltages dangerous to the touch may only be installed and used by, or under the supervision of, persons with electrical engineering training, taking into account the applicable regulations and standards.

Plug connectors with enclosure protection IP 67 and IP 68 are not suitable for use under water. When used outdoors, the plug connectors must be protected separately against corrosion. For further information on the IP protection classes, please refer to the "Technical Information" download centre.