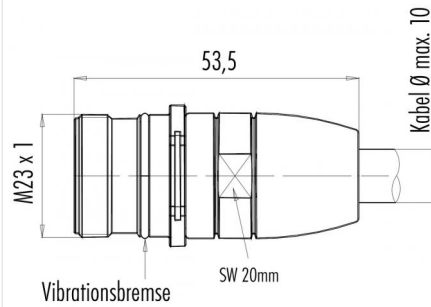


Product description **M23 female cable connector, Contacts: 19, 6.0 - 10.0 mm, shieldable, solder, IP67**  
 Area **M23 series 623**  
 Order number **99 4648 00 19**

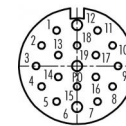
### Illustration



### Scale drawing



### Contact arrangement (Plug-in side)



	X	Y
1	-3,00	5,20
2	-5,20	3,00
3	-6,00	0,00
4	-5,20	-3,00
5	-3,00	-5,20
6	0,00	-6,00
7	3,00	-5,20
8	5,20	-3,00
9	6,00	0,00
10	5,20	3,00
11	3,00	5,20
12	0,00	6,00
13	-2,75	1,60
14	-2,75	-1,60
15	0,00	-3,00
16	2,75	-1,60
17	2,75	1,60
18	0,00	3,00
19	0,00	0,00

You can find the assembly instructions on the next page.

## Technical data

### General values

Connector design female cable connector  
 Connector locking system screw  
 Termination solder  
 Arrangement of contacts clockwise  
 Wire gauge (mm) 16x1.00 / 3x1.50 mm<sup>2</sup>  
 Wire gauge (AWG) 16x AWG 18 / 3x AWG 16  
 Cable outlet 6.0 - 10.0 mm  
 Upper limit temperature 125 °C  
 Lower limit temperature -25 °C  
 Customs tariff number 85369010

### Electrical values

Rated current (40 °C) 16 x 8 A / 3 x 10 A  
 Rated voltage 150 V  
 Rated impulse voltage 1500 V  
 Pollution degree 3  
 Overvoltage category II  
 Insulating material group III  
 Insulation resistance  $\geq 10^{10} \Omega$   
 EMC compliance shieldable  
 Degree of protection IP67  
 Mechanical operation > 50 Mating cycles

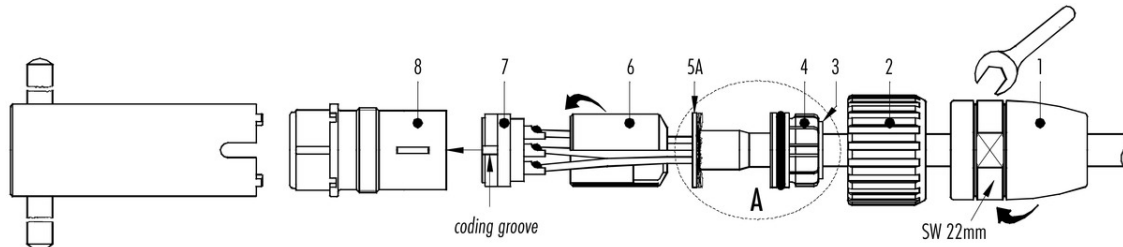
### Material

Contact material CuSn (bronze)  
 Contact plating Au (gold)  
 Contact body material PBT/PA66  
 REACH SVHC CAS 7439-92-1 (Lead)

Product description **M23 female cable connector, Contacts: 19, 6.0 - 10.0 mm, shieldable, solder, IP67**

Area **M23 series 623**  
 Order number **99 4648 00 19**

### Assembly instructions / Panel cut-out



- Push the adapter (1), the coupling nut (2) and the sealing ring (4) with the gasket (3) onto the cable.
- Strip the cable coating by 23 mm.
- Detail A: Push back the shielding braid so it stands out at 90°. With a rotating motion, push the shielding braid (5A) over the foil or cotton braid and under the shielding braid. Cut the shielding braid and flush with the external diameter of the shielded sleeve (5A).
- Trim foil, filler and inner insulation.
- Strip the single wires by 3.5 mm, twist and tin.
- Solder the single wires to the contacts.
- Insert the distance shell (6).

- Guide the insert (7) and distance shell (6) into the insert sleeve (8), mind that the desired coding groove of the insert (7) is pushed into the coding bar.
- Press in the cable with the shield and sealing unit.
- Screw the adapter (1) as tight as possible.

Please note: torque for clamping screw for contact insert (7) with screw contacts:

- max. 0.1 Nm for screw contacts with mating dia. 1 mm
- max. 0.2 Nm for screw contacts with mating dia. 2 mm

Product description	<b>M23 female cable connector, Contacts: 19, 6.0 - 10.0 mm, shieldable, solder, IP67</b>
Area	<b>M23 series 623</b>
Order number	<b>99 4648 00 19</b>

## Security notices

The connector must not be plugged or unplugged under load. Non-observance and improper use can result in personal injury.

The connectors have been developed for applications in plant engineering, control and electrical equipment construction. The user is responsible for checking whether the connectors can also be used in other areas of application.

Connectors which are used in circuits with voltages dangerous to the touch may only be installed and used by, or under the supervision of, persons with electrical engineering training, taking into account the applicable regulations and standards.

Plug connectors with enclosure protection IP 67 and IP 68 are not suitable for use under water. When used outdoors, the plug connectors must be protected separately against corrosion. For further information on the IP protection classes, please refer to the "Technical Information" download centre.

To lock the cable connector with the device connector, the threaded ring is tightened "hand-tight" (approx. 50 cNm).