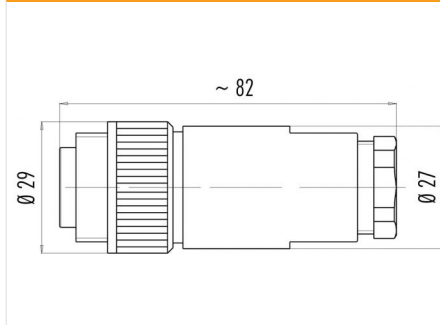


Product description **RD24 male cable connector, Contacts: 6+PE, 12.0 - 14.0 mm, unshielded, screw clamp, IP67, UL, ESTI+, VDE, PG16**
 Area **RD24 series 693**
 Order number **99 4217 160 07**

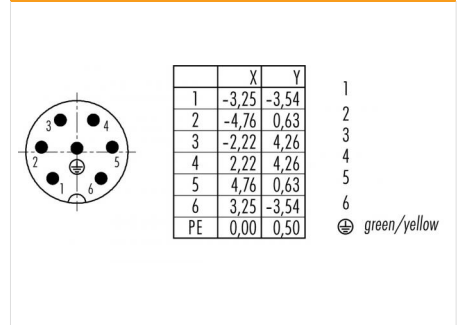
Illustration



Scale drawing



Contact arrangement (Plug-in side)



You can find the component part drawing and assembly instructions on the next page.

Technical data

General values

Connector design male cable connector
 Connector locking system screw
 Termination screw clamp
 Wire gauge (mm) max. 1.50 mm²
 Wire gauge (AWG) max. AWG 16
 Cable outlet 12.0 - 14.0 mm
 Upper limit temperature 100 °C
 Lower limit temperature -40 °C
 Customs tariff number 85369010

Electrical values

Rated current (40 °C) 10 A (8 A UL)
 Rated voltage 250 V
 Rated impulse voltage 4000 V
 Pollution degree 3
 Overvoltage category III
 Insulating material group III
 Insulation resistance $\geq 10^{10} \Omega$
 EMC compliance unshielded
 Degree of protection IP67
 Mechanical operation > 500 Mating cycles

Material

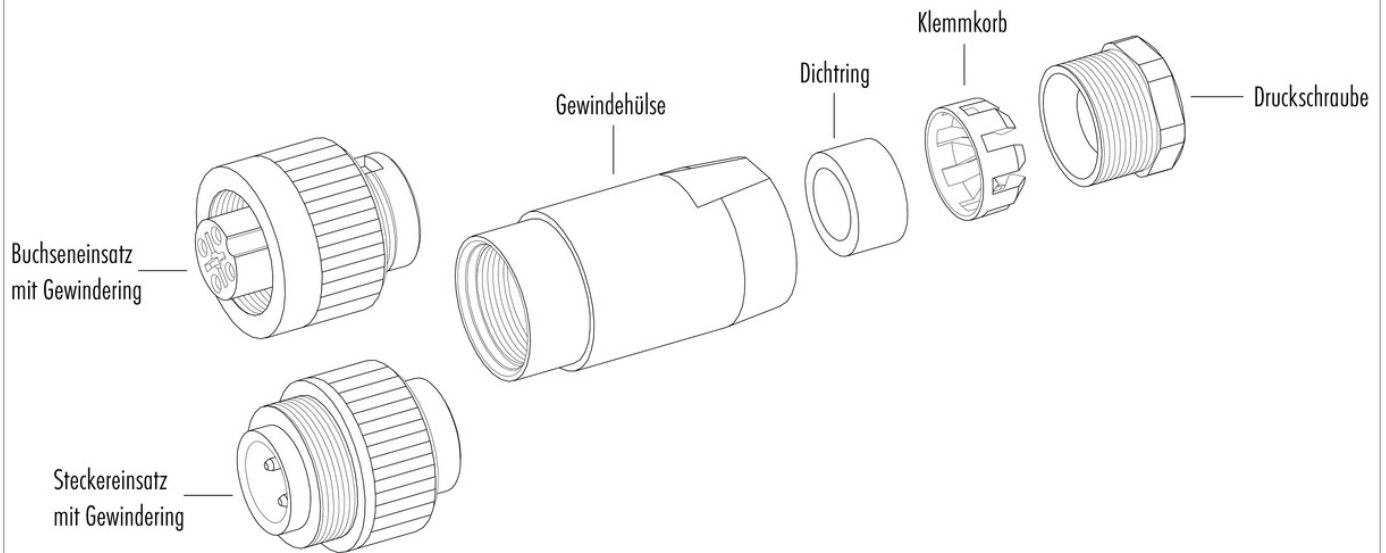
Contact material CuZn (brass)
 Contact plating Ag (silver)
 Contact body material PBT (UL94 V-0)
 REACH SVHC CAS 96-45-7 (Imidazolidine-2-thione)
 CAS 7439-92-1 (Lead)

authorization/approvals

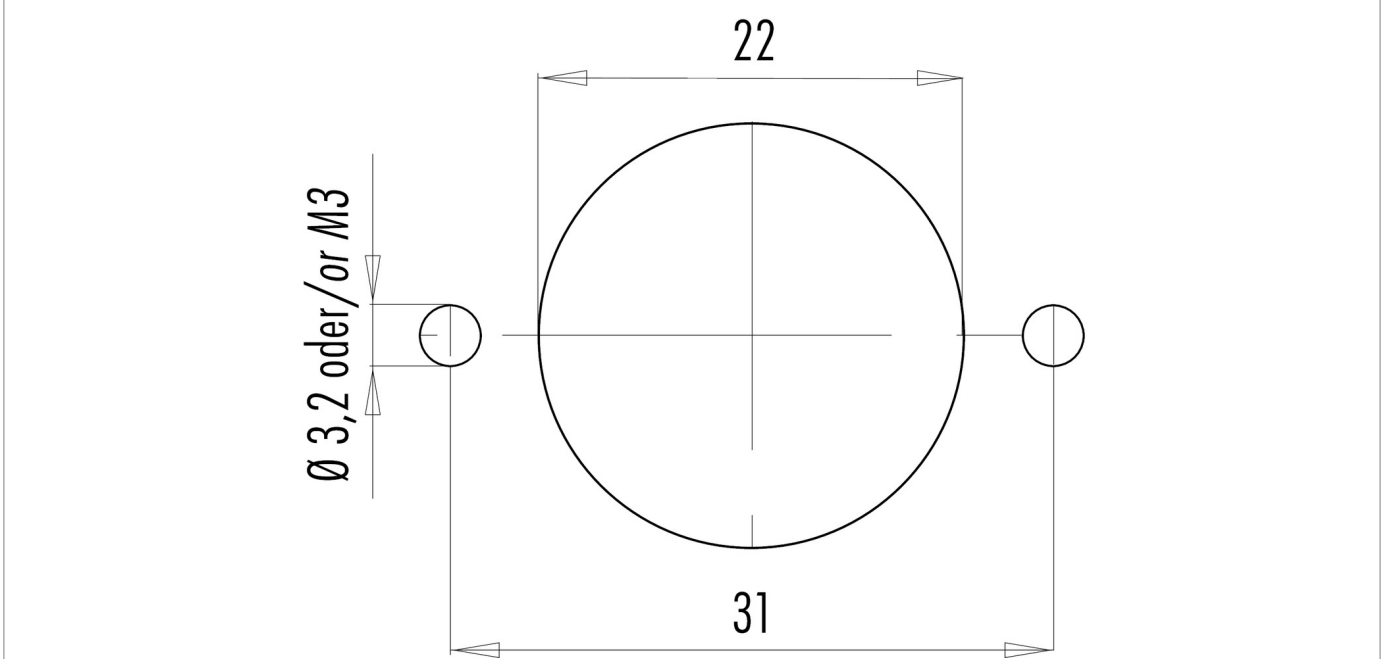
Approval 1 UL
 Approval 2 ESTI+
 Approval 3 VDE

Product description	RD24 male cable connector, Contacts: 6+PE, 12.0 - 14.0 mm, unshielded, screw clamp, IP67, UL, ESTI+, VDE, PG16
Area	RD24 series 693
Order number	99 4217 160 07

Component part drawing



Assembly instructions / Panel cut-out



Product description	RD24 male cable connector, Contacts: 6+PE, 12.0 - 14.0 mm, unshielded, screw clamp, IP67, UL, ESTI+, VDE, PG16
Area	RD24 series 693
Order number	99 4217 160 07

Security notices

The connector must not be plugged or unplugged under load. Non-observance and improper use can result in personal injury.

The connectors have been developed for applications in plant engineering, control and electrical equipment construction. The user is responsible for checking whether the connectors can also be used in other areas of application.

To protect against unintentional opening of the connector, the thread between the housing and the connector head must be secured with a suitable cyanoacrylate adhesive when used in circuits with voltages dangerous to the touch. This does not apply to connectors used in SELV and PELV circuits according to IEC 61140 (EN 61140, VDE 0140-1).

Connectors which are used in circuits with voltages dangerous to the touch may only be installed and used by, or under the supervision of, persons with electrical engineering training, taking into account the applicable regulations and standards.

Plug connectors with enclosure protection IP 67 and IP 68 are not suitable for use under water. When used outdoors, the plug connectors must be protected separately against corrosion. For further information on the IP protection classes, please refer to the "Technical Information" download centre. To lock the cable connector with the device connector, the threaded ring is tightened "hand-tight" (approx. 50 cNm).