

Product description	RD24 male cable connector, Contacts: 6+PE, 7.0 - 17.0 mm, unshielded, crimp (Crimp contacts must be ordered separately), IP67, UL, ESTI+, VDE, Vario
Area	RD24 series 693
Order number	99 4201 300 07

Illustration	Scale drawing	Contact arrangement (Plug-in side)																																
		<table border="1" style="margin: 10px;"> <thead> <tr> <th></th> <th>X</th> <th>Y</th> <th></th> </tr> </thead> <tbody> <tr> <td>1</td> <td>-3,25</td> <td>-3,54</td> <td>1</td> </tr> <tr> <td>2</td> <td>-4,76</td> <td>0,63</td> <td>2</td> </tr> <tr> <td>3</td> <td>-2,22</td> <td>4,26</td> <td>3</td> </tr> <tr> <td>4</td> <td>2,22</td> <td>4,26</td> <td>4</td> </tr> <tr> <td>5</td> <td>4,76</td> <td>0,63</td> <td>5</td> </tr> <tr> <td>6</td> <td>3,25</td> <td>-3,54</td> <td>6</td> </tr> <tr> <td>PE</td> <td>0,00</td> <td>0,50</td> <td>⊕ green/yellow</td> </tr> </tbody> </table>		X	Y		1	-3,25	-3,54	1	2	-4,76	0,63	2	3	-2,22	4,26	3	4	2,22	4,26	4	5	4,76	0,63	5	6	3,25	-3,54	6	PE	0,00	0,50	⊕ green/yellow
	X	Y																																
1	-3,25	-3,54	1																															
2	-4,76	0,63	2																															
3	-2,22	4,26	3																															
4	2,22	4,26	4																															
5	4,76	0,63	5																															
6	3,25	-3,54	6																															
PE	0,00	0,50	⊕ green/yellow																															

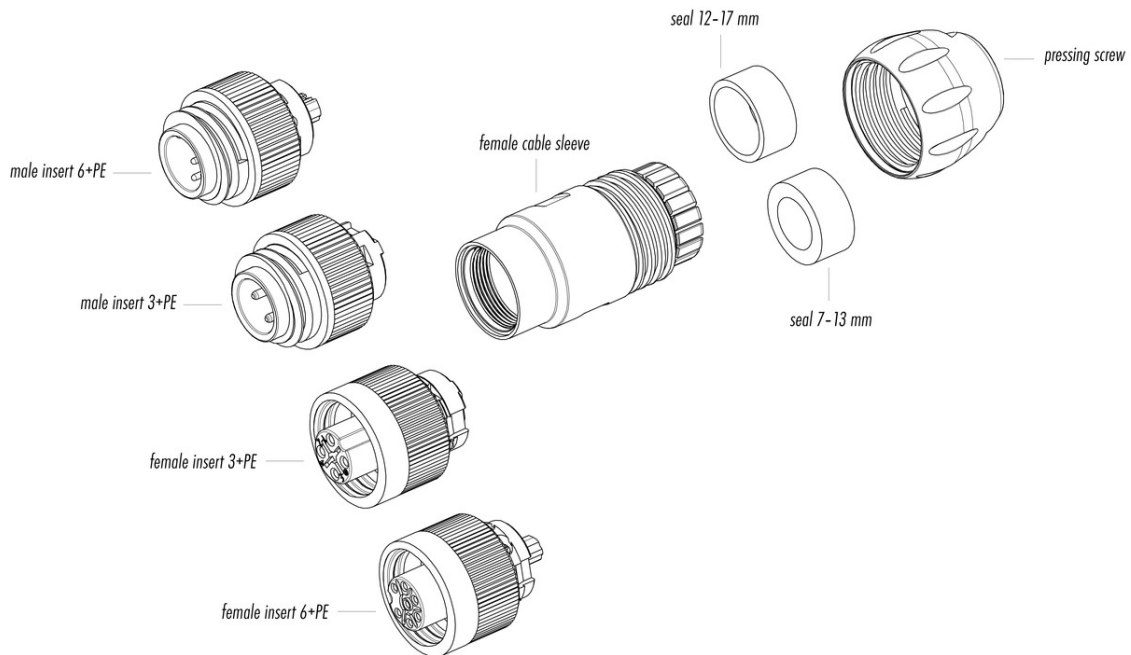
You can find the component part drawing and assembly instructions on the next page.

Technical data

<h3 style="color: #f4a460;">General values</h3> <table border="0"> <tr> <td style="width: 30%;">Connector design</td> <td>male cable connector</td> </tr> <tr> <td>Connector locking system</td> <td>screw</td> </tr> <tr> <td>Termination</td> <td>crimp (Crimp contacts must be ordered separately)</td> </tr> <tr> <td>Wire gauge (mm)</td> <td>see crimp contacts under accessories</td> </tr> <tr> <td>Cable outlet</td> <td>7.0 - 17.0 mm</td> </tr> <tr> <td>Upper limit temperature</td> <td>100 °C</td> </tr> <tr> <td>Lower limit temperature</td> <td>-40 °C</td> </tr> <tr> <td>Customs tariff number</td> <td>85369010</td> </tr> </table>		Connector design	male cable connector	Connector locking system	screw	Termination	crimp (Crimp contacts must be ordered separately)	Wire gauge (mm)	see crimp contacts under accessories	Cable outlet	7.0 - 17.0 mm	Upper limit temperature	100 °C	Lower limit temperature	-40 °C	Customs tariff number	85369010	<h3 style="color: #f4a460;">Electrical values</h3> <table border="0"> <tr> <td>Rated current (40 °C)</td> <td>10 A</td> </tr> <tr> <td>Rated voltage</td> <td>250 V</td> </tr> <tr> <td>Rated impulse voltage</td> <td>4000 V</td> </tr> <tr> <td>Pollution degree</td> <td>3</td> </tr> <tr> <td>Overvoltage category</td> <td>III</td> </tr> <tr> <td>Insulating material group</td> <td>III</td> </tr> <tr> <td>Insulation resistance</td> <td>≥ 10¹⁰ Ω</td> </tr> <tr> <td>EMC compliance</td> <td>unshielded</td> </tr> <tr> <td>Degree of protection</td> <td>IP67</td> </tr> <tr> <td>Mechanical operation</td> <td>> 500 Mating cycles</td> </tr> </table>	Rated current (40 °C)	10 A	Rated voltage	250 V	Rated impulse voltage	4000 V	Pollution degree	3	Overvoltage category	III	Insulating material group	III	Insulation resistance	≥ 10 ¹⁰ Ω	EMC compliance	unshielded	Degree of protection	IP67	Mechanical operation	> 500 Mating cycles
Connector design	male cable connector																																					
Connector locking system	screw																																					
Termination	crimp (Crimp contacts must be ordered separately)																																					
Wire gauge (mm)	see crimp contacts under accessories																																					
Cable outlet	7.0 - 17.0 mm																																					
Upper limit temperature	100 °C																																					
Lower limit temperature	-40 °C																																					
Customs tariff number	85369010																																					
Rated current (40 °C)	10 A																																					
Rated voltage	250 V																																					
Rated impulse voltage	4000 V																																					
Pollution degree	3																																					
Overvoltage category	III																																					
Insulating material group	III																																					
Insulation resistance	≥ 10 ¹⁰ Ω																																					
EMC compliance	unshielded																																					
Degree of protection	IP67																																					
Mechanical operation	> 500 Mating cycles																																					
<h3 style="color: #f4a460;">Material</h3> <table border="0"> <tr> <td style="width: 30%;">Contact material</td> <td>depending on crimp contact (accessory)</td> </tr> <tr> <td>Contact body material</td> <td>PBT</td> </tr> </table>		Contact material	depending on crimp contact (accessory)	Contact body material	PBT																																	
Contact material	depending on crimp contact (accessory)																																					
Contact body material	PBT																																					
<h3 style="color: #f4a460;">authorization/approvals</h3> <table border="0"> <tr> <td style="width: 30%;">Approval 1</td> <td>UL</td> </tr> <tr> <td>Approval 2</td> <td>ESTI+</td> </tr> <tr> <td>Approval 3</td> <td>VDE</td> </tr> </table>		Approval 1	UL	Approval 2	ESTI+	Approval 3	VDE																															
Approval 1	UL																																					
Approval 2	ESTI+																																					
Approval 3	VDE																																					

Product description	RD24 male cable connector, Contacts: 6+PE, 7.0 - 17.0 mm, unshielded, crimp (Crimp contacts must be ordered separately), IP67, UL, ESTI+, VDE, Vario
Area	RD24 series 693
Order number	99 4201 300 07

Component part drawing

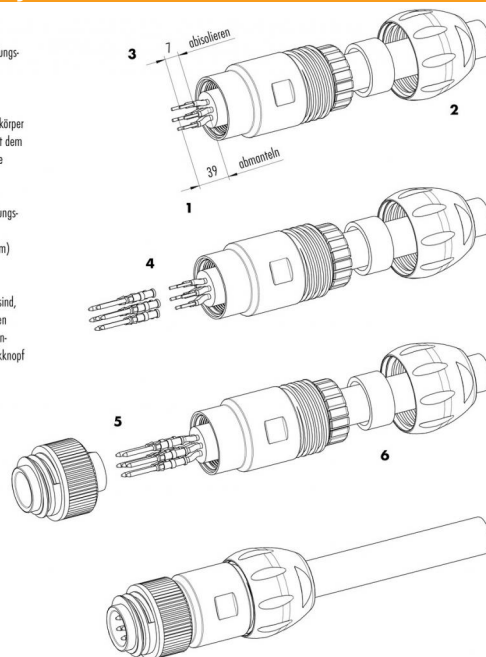


Assembly instructions / Panel cut-out

1. Abmanteln auf Länge $l = 39$ mm.
Ummantelung abstreifen.
2. Druckschraube, Dichtung und Kupplungshülse auf Kabel auffädeln.
3. Litzen abisolieren $l = 7$ mm.
4. Kontakte ancrimpen.*
5. Angecrimpte Kontakte in den Isolierkörper einrasten und diesen zusammen mit dem Gewindestift mit der Kupplungshülse verschrauben.
6. Den Dichtring gemeinsam mit dem Klemmkorb von hinten in die Kupplungshülse schieben und festschrauben.
(empfohlenes Drehmoment 400 dNm)

Lösen der Kontakte:
Da die Kontakte schwimmend gelagert sind, lässt sich das Lösewerkzeug* mit leichten Pendelbewegungen bis zum Anschlag einführen. Danach zum Lösen den Ausdrückknopf betätigen.

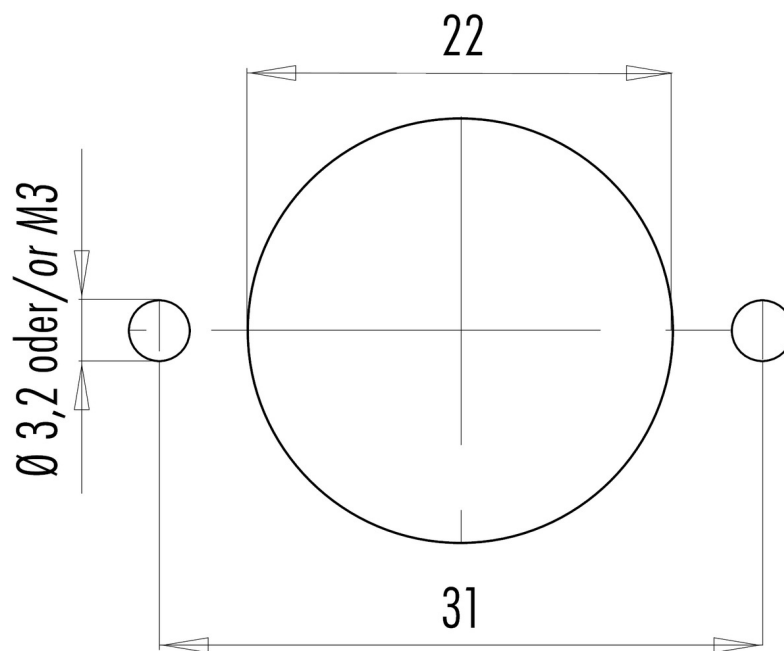
* Crimpzange
Bestell-Nr. 66 0003 001
Lösewerkzeug:
Kontakt-Ø 1,6 mm
Bestell-Nr. 66 0004 001



Product description RD24 male cable connector, Contacts: 6+PE, 7.0 - 17.0 mm, unshielded, crimp (Crimp contacts must be ordered separately), IP67, UL, ESTI+, VDE, Vario

Area RD24 series 693
Order number 99 4201 300 07

Assembly instructions / Panel cut-out



Product description	RD24 male cable connector, Contacts: 6+PE, 7.0 - 17.0 mm, unshielded, crimp (Crimp contacts must be ordered separately), IP67, UL, ESTI+, VDE, Vario
Area	RD24 series 693
Order number	99 4201 300 07

Security notices

The connector must not be plugged or unplugged under load. Non-observance and improper use can result in personal injury.

The connectors have been developed for applications in plant engineering, control and electrical equipment construction. The user is responsible for checking whether the connectors can also be used in other areas of application.

To protect against unintentional opening of the connector, the thread between the housing and the connector head must be secured with a suitable cyanoacrylate adhesive when used in circuits with voltages dangerous to the touch. This does not apply to connectors used in SELV and PELV circuits according to IEC 61140 (EN 61140, VDE 0140-1).

Connectors which are used in circuits with voltages dangerous to the touch may only be installed and used by, or under the supervision of, persons with electrical engineering training, taking into account the applicable regulations and standards.

Plug connectors with enclosure protection IP 67 and IP 68 are not suitable for use under water. When used outdoors, the plug connectors must be protected separately against corrosion. For further information on the IP protection classes, please refer to the "Technical Information" download centre. To lock the cable connector with the device connector, the threaded ring is tightened "hand-tight" (approx. 50 cNm).