

Product description	RD24 male cable connector, Contacts: 6+PE, 6.0 - 8.0 mm, unshielded, crimp (Crimp contacts must be ordered separately), IP67, UL, ESTI+, VDE, PG9
Area	RD24 series 693
Order number	99 4201 00 07

Illustration	Scale drawing	Contact arrangement (Plug-in side)																																
		<table border="1" style="margin: 10px;"> <thead> <tr> <th></th> <th>X</th> <th>Y</th> <th></th> </tr> </thead> <tbody> <tr> <td>1</td> <td>-3,25</td> <td>-3,54</td> <td>1</td> </tr> <tr> <td>2</td> <td>-4,76</td> <td>0,63</td> <td>2</td> </tr> <tr> <td>3</td> <td>-2,22</td> <td>4,26</td> <td>3</td> </tr> <tr> <td>4</td> <td>2,22</td> <td>4,26</td> <td>4</td> </tr> <tr> <td>5</td> <td>4,76</td> <td>0,63</td> <td>5</td> </tr> <tr> <td>6</td> <td>3,25</td> <td>-3,54</td> <td>6</td> </tr> <tr> <td>PE</td> <td>0,00</td> <td>0,50</td> <td>⊕ green/yellow</td> </tr> </tbody> </table>		X	Y		1	-3,25	-3,54	1	2	-4,76	0,63	2	3	-2,22	4,26	3	4	2,22	4,26	4	5	4,76	0,63	5	6	3,25	-3,54	6	PE	0,00	0,50	⊕ green/yellow
	X	Y																																
1	-3,25	-3,54	1																															
2	-4,76	0,63	2																															
3	-2,22	4,26	3																															
4	2,22	4,26	4																															
5	4,76	0,63	5																															
6	3,25	-3,54	6																															
PE	0,00	0,50	⊕ green/yellow																															

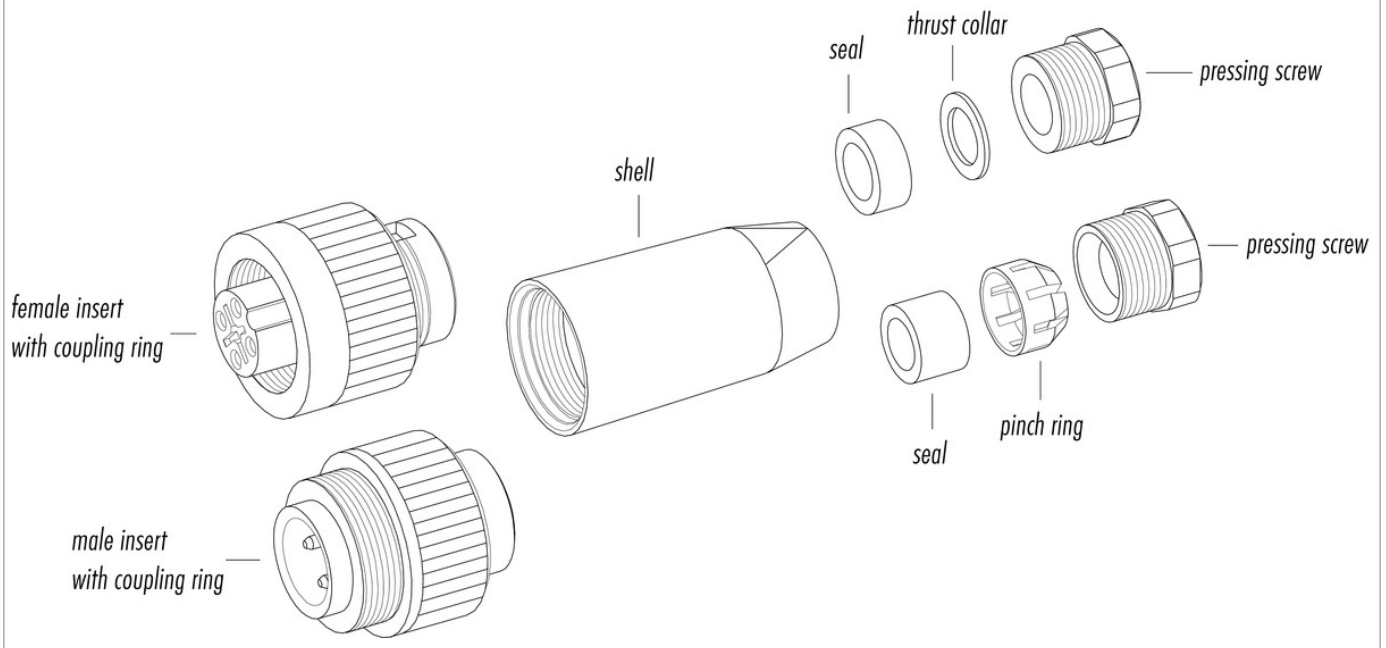
You can find the component part drawing and assembly instructions on the next page.

Technical data

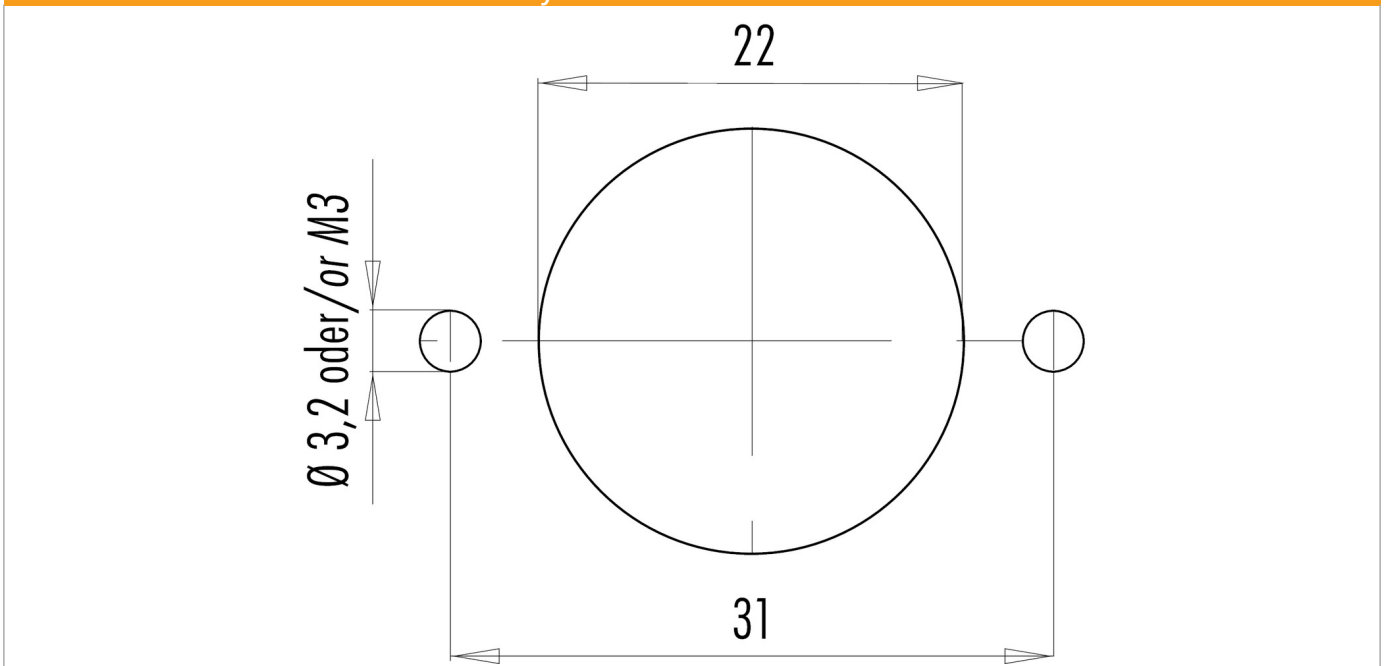
<h3 style="color: #f4a460;">General values</h3> <table border="0"> <tr> <td style="width: 30%;">Connector design</td> <td>male cable connector</td> </tr> <tr> <td>Connector locking system</td> <td>screw</td> </tr> <tr> <td>Termination</td> <td>crimp (Crimp contacts must be ordered separately)</td> </tr> <tr> <td>Wire gauge (mm)</td> <td>see crimp contacts under accessories</td> </tr> <tr> <td>Cable outlet</td> <td>6.0 - 8.0 mm</td> </tr> <tr> <td>Upper limit temperature</td> <td>100 °C</td> </tr> <tr> <td>Lower limit temperature</td> <td>-40 °C</td> </tr> <tr> <td>Customs tariff number</td> <td>85369010</td> </tr> </table>		Connector design	male cable connector	Connector locking system	screw	Termination	crimp (Crimp contacts must be ordered separately)	Wire gauge (mm)	see crimp contacts under accessories	Cable outlet	6.0 - 8.0 mm	Upper limit temperature	100 °C	Lower limit temperature	-40 °C	Customs tariff number	85369010	<h3 style="color: #f4a460;">Electrical values</h3> <table border="0"> <tr> <td style="width: 30%;">Rated current (40 °C)</td> <td>10 A (8 A UL)</td> </tr> <tr> <td>Rated voltage</td> <td>250 V</td> </tr> <tr> <td>Rated impulse voltage</td> <td>4000 V</td> </tr> <tr> <td>Pollution degree</td> <td>3</td> </tr> <tr> <td>Overvoltage category</td> <td>III</td> </tr> <tr> <td>Insulating material group</td> <td>III</td> </tr> <tr> <td>Insulation resistance</td> <td>≥ 10¹⁰ Ω</td> </tr> <tr> <td>EMC compliance</td> <td>unshielded</td> </tr> <tr> <td>Degree of protection</td> <td>IP67</td> </tr> <tr> <td></td> <td>IP65 with cable diameter 6-7 mm</td> </tr> <tr> <td>Mechanical operation</td> <td>> 500 Mating cycles</td> </tr> </table>		Rated current (40 °C)	10 A (8 A UL)	Rated voltage	250 V	Rated impulse voltage	4000 V	Pollution degree	3	Overvoltage category	III	Insulating material group	III	Insulation resistance	≥ 10 ¹⁰ Ω	EMC compliance	unshielded	Degree of protection	IP67		IP65 with cable diameter 6-7 mm	Mechanical operation	> 500 Mating cycles
Connector design	male cable connector																																								
Connector locking system	screw																																								
Termination	crimp (Crimp contacts must be ordered separately)																																								
Wire gauge (mm)	see crimp contacts under accessories																																								
Cable outlet	6.0 - 8.0 mm																																								
Upper limit temperature	100 °C																																								
Lower limit temperature	-40 °C																																								
Customs tariff number	85369010																																								
Rated current (40 °C)	10 A (8 A UL)																																								
Rated voltage	250 V																																								
Rated impulse voltage	4000 V																																								
Pollution degree	3																																								
Overvoltage category	III																																								
Insulating material group	III																																								
Insulation resistance	≥ 10 ¹⁰ Ω																																								
EMC compliance	unshielded																																								
Degree of protection	IP67																																								
	IP65 with cable diameter 6-7 mm																																								
Mechanical operation	> 500 Mating cycles																																								
<h3 style="color: #f4a460;">Material</h3> <table border="0"> <tr> <td style="width: 30%;">Contact material</td> <td>depending on crimp contact (accessory)</td> </tr> <tr> <td>Contact body material</td> <td>PBT (UL94 V-0)</td> </tr> </table>		Contact material	depending on crimp contact (accessory)	Contact body material	PBT (UL94 V-0)	<h3 style="color: #f4a460;">authorization/approvals</h3> <table border="0"> <tr> <td style="width: 30%;">Approval 1</td> <td>UL</td> </tr> <tr> <td>Approval 2</td> <td>ESTI+</td> </tr> <tr> <td>Approval 3</td> <td>VDE</td> </tr> </table>		Approval 1	UL	Approval 2	ESTI+	Approval 3	VDE																												
Contact material	depending on crimp contact (accessory)																																								
Contact body material	PBT (UL94 V-0)																																								
Approval 1	UL																																								
Approval 2	ESTI+																																								
Approval 3	VDE																																								

Product description	RD24 male cable connector, Contacts: 6+PE, 6.0 - 8.0 mm, unshielded, crimp (Crimp contacts must be ordered separately), IP67, UL, ESTI+, VDE, PG9
Area	RD24 series 693
Order number	99 4201 00 07

Component part drawing



Assembly instructions / Panel cut-out



Product description	RD24 male cable connector, Contacts: 6+PE, 6.0 - 8.0 mm, unshielded, crimp (Crimp contacts must be ordered separately), IP67, UL, ESTI+, VDE, PG9
Area	RD24 series 693
Order number	99 4201 00 07

Security notices

The connector must not be plugged or unplugged under load. Non-observance and improper use can result in personal injury.

The connectors have been developed for applications in plant engineering, control and electrical equipment construction. The user is responsible for checking whether the connectors can also be used in other areas of application.

To protect against unintentional opening of the connector, the thread between the housing and the connector head must be secured with a suitable cyanoacrylate adhesive when used in circuits with voltages dangerous to the touch. This does not apply to connectors used in SELV and PELV circuits according to IEC 61140 (EN 61140, VDE 0140-1).

Connectors which are used in circuits with voltages dangerous to the touch may only be installed and used by, or under the supervision of, persons with electrical engineering training, taking into account the applicable regulations and standards.

Plug connectors with enclosure protection IP 67 and IP 68 are not suitable for use under water. When used outdoors, the plug connectors must be protected separately against corrosion. For further information on the IP protection classes, please refer to the "Technical Information" download centre. To lock the cable connector with the device connector, the threaded ring is tightened "hand-tight" (approx. 50 cNm).