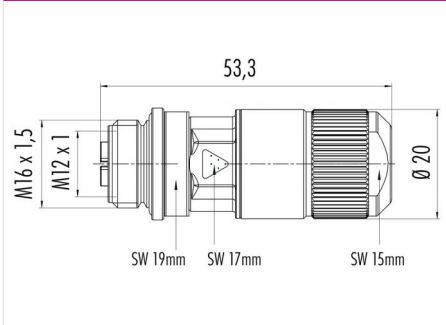


Product description	M12-X female cable connector, Contacts: 8, 5.5 - 9.0 mm, shieldable, cutting clamp, IP67
Area	M12-X series 825
Order number	99 3788 810 08

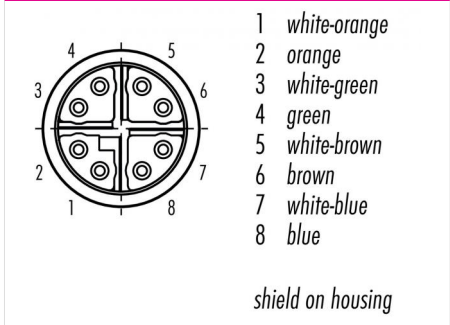
**Illustration**



**Scale drawing**



**Contact arrangement (Plug-in side)**



You can find the component part drawing and assembly instructions on the next page.

**Technical data**

**General values**

Connector design	female cable connector
Connector locking system	screw
Termination	cutting clamp
Wire gauge (mm)	min. 0.10 - max. 0.34 mm <sup>2</sup>
Wire gauge (AWG)	min. AWG 27 - max. AWG 22
Cable outlet	5.5 - 9.0 mm
Upper limit temperature	85 °C
Lower limit temperature	-40 °C
Customs tariff number	85369010

**Electrical values**

Rated current (40 °C)	0.5 A
Rated voltage	50 V AC / 60 V DC V
Rated impulse voltage	800 V
Pollution degree	3
Overvoltage category	II
Insulating material group	II
EMC compliance	shieldable
Degree of protection	IP67
Mechanical operation	> 100 Mating cycles

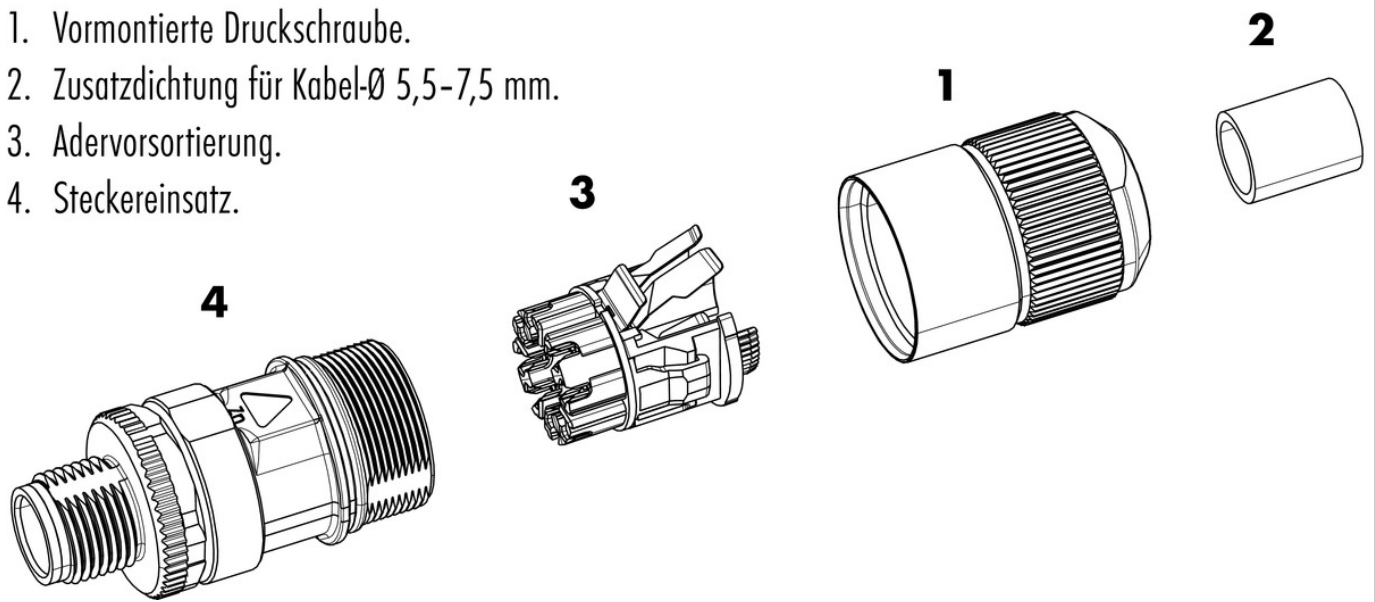
**Material**

Contact material	CuZn (brass)
Contact plating	Au (gold)
Contact body material	PA
Housing material	Brass nickel-plated, Zinc die-cast nickel-plated
Locking material	Zinc die-cast nickel-plated
REACH SVHC	CAS 7439-92-1 (Lead)

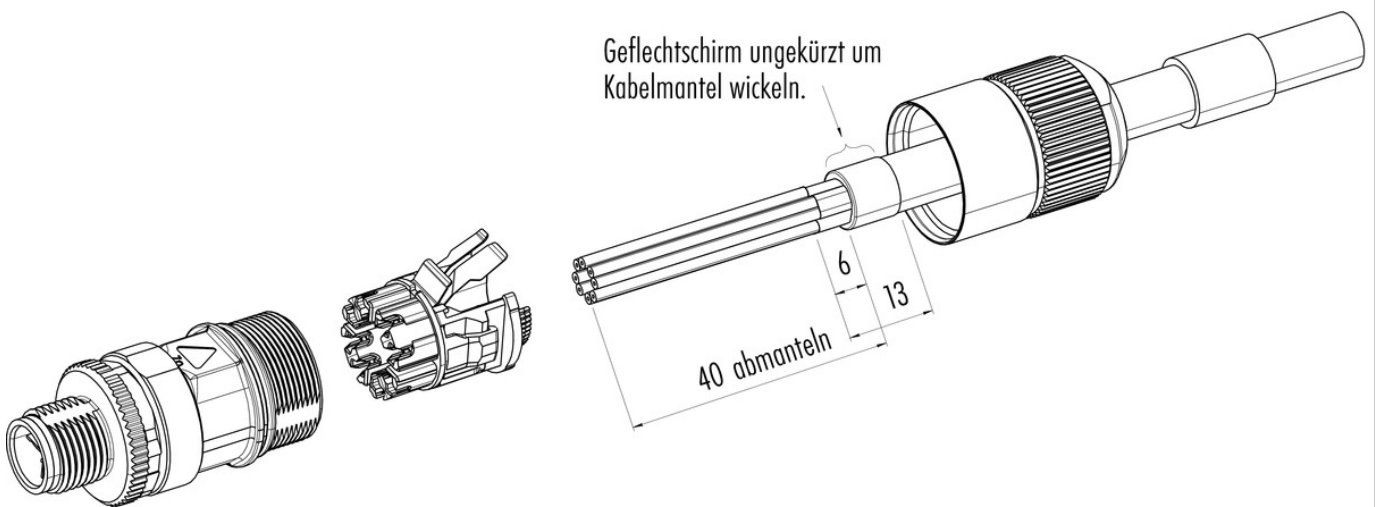
Product description	M12-X female cable connector, Contacts: 8, 5.5 - 9.0 mm, shieldable, cutting clamp, IP67
Area	M12-X series 825
Order number	99 3788 810 08

Component part drawing

1. Vormontierte Druckschraube.
2. Zusatzdichtung für Kabel-Ø 5,5-7,5 mm.
3. Adervorsortierung.
4. Steckereinsatz.



Assembly instructions / Panel cut-out



Product description	M12-X female cable connector, Contacts: 8, 5.5 - 9.0 mm, shieldable, cutting clamp, IP67
Area	M12-X series 825
Order number	99 3788 810 08

## Security notices

The connectors have been developed for applications in plant engineering, control and electrical equipment construction. The user is responsible for checking whether the connectors can also be used in other areas of application.

Connectors which are used in circuits with voltages dangerous to the touch may only be installed and used by, or under the supervision of, persons with electrical engineering training, taking into account the applicable regulations and standards.

Plug connectors with enclosure protection IP 67 and IP 68 are not suitable for use under water. When used outdoors, the plug connectors must be protected separately against corrosion. For further information on the IP protection classes, please refer to the "Technical Information" download centre. To lock the cable connector with the device connector, the threaded ring is tightened "hand-tight" (approx. 50 cNm).