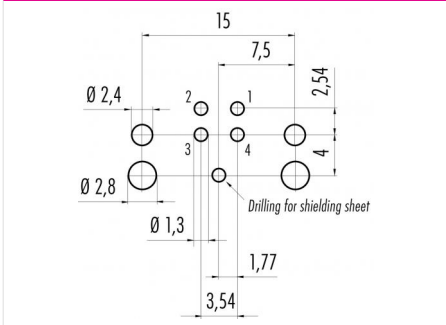


| | |
|---------------------|--|
| Product description | M12-D male panel mount connector, Contacts: 4, unshielded, dip-solder, IP67, UL, two-part design |
| Area | M12-D series 876 |
| Order number | 99 3731 202 04 |

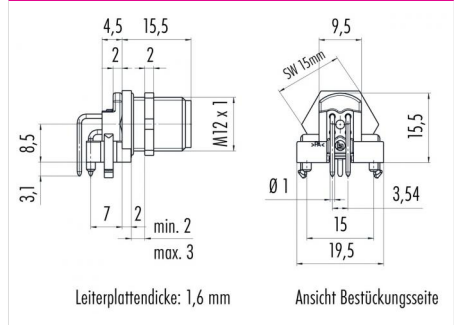
Illustration



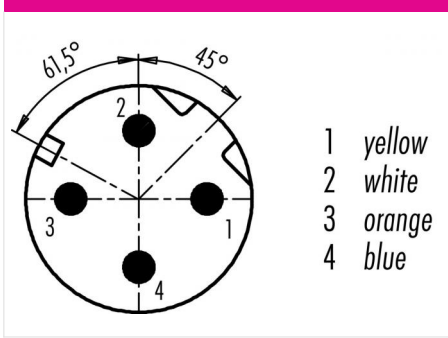
Conductor layout



Scale drawing



Contact arrangement (Plug-in side)



You can find the assembly instructions on the next page.

Technical data

General values

| | |
|--------------------------|----------------------------|
| Connector design | male panel mount connector |
| Connector locking system | screw |
| Termination | dip-solder |
| Upper limit temperature | 85 °C |
| Lower limit temperature | -40 °C |
| Customs tariff number | 85369010 |

Electrical values

| | |
|---------------------------|---------------------|
| Rated current (40 °C) | 4 A |
| Rated voltage | 250 V |
| Rated impulse voltage | 2500 V |
| Pollution degree | 3 |
| Overvoltage category | II |
| Insulating material group | II |
| EMC compliance | unshielded |
| Degree of protection | IP67 |
| Mechanical operation | > 100 Mating cycles |

Material

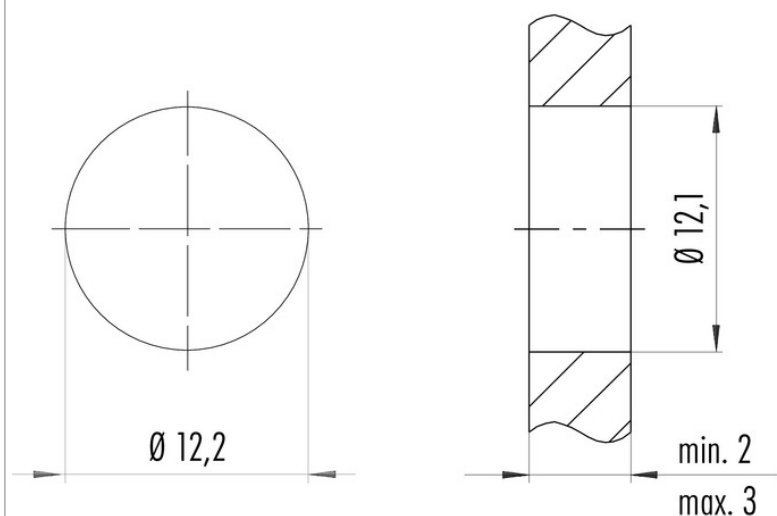
| | |
|-----------------------|----------------------------|
| Contact material | CuZn (brass) |
| Contact plating | Au (gold) |
| Contact body material | PA |
| Housing material | CuZn (Brass nickel plated) |
| Locking material | CuZn (Brass nickel plated) |
| REACH SVHC | CAS 7439-92-1 (Lead) |

authorization/approvals

| | |
|------------|----|
| Approval 1 | UL |
|------------|----|

| | |
|---------------------|--|
| Product description | M12-D male panel mount connector, Contacts: 4, unshielded, dip-solder, IP67, UL, two-part design |
| Area | M12-D series 876 |
| Order number | 99 3731 202 04 |

Assembly instructions / Panel cut-out



Anzugsdrehmoment/Tightening torque
M12 x 1 1,00 Nm

| | |
|---------------------|--|
| Product description | M12-D male panel mount connector, Contacts: 4, unshielded, dip-solder, IP67, UL, two-part design |
| Area | M12-D series 876 |
| Order number | 99 3731 202 04 |

Security notices

The connector must not be plugged or unplugged under load. Non-observance and improper use can result in personal injury.

The connectors have been developed for applications in plant engineering, control and electrical equipment construction. The user is responsible for checking whether the connectors can also be used in other areas of application.

Plug connectors with enclosure protection IP 67 and IP 68 are not suitable for use under water. When used outdoors, the plug connectors must be protected separately against corrosion. For further information on the IP protection classes, please refer to the "Technical Information" download centre.