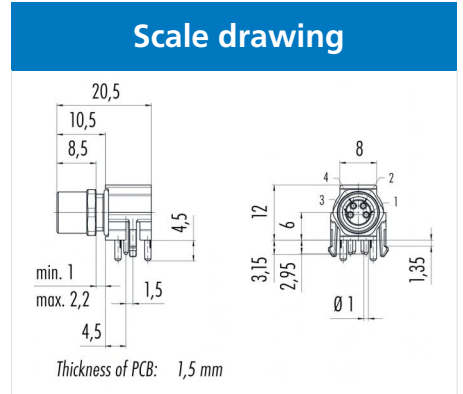
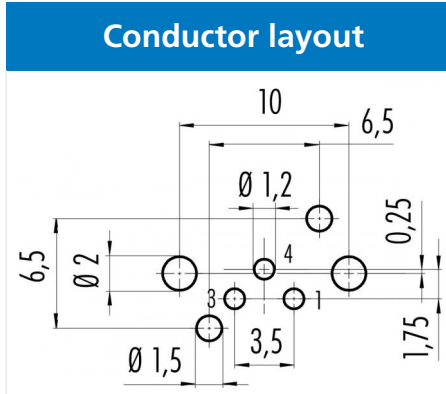
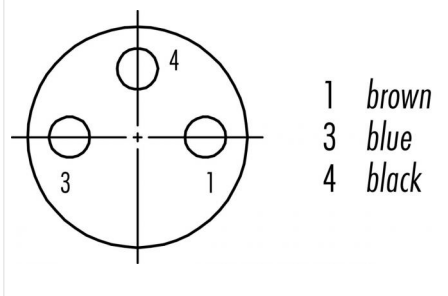


Product description **M8 female panel mount connector, Contacts: 3, unshielded, dip-solder, IP67, UL**
 Area **M8 series 718**
 Order number **99 3412 282 03**



Contact arrangement (Plug-in side)



You can find the assembly instructions on the next page.

Technical data

General values

Connector design female panel mount connector
 Connector locking system screw
 Termination dip-solder
 Upper limit temperature 85 °C
 Lower limit temperature -40 °C
 Customs tariff number 85369010

Electrical values

Rated current (40 °C) 4 A
 Rated voltage 60 V
 Rated impulse voltage 1500 V
 Pollution degree 3
 Overvoltage category II
 Insulating material group II
 EMC compliance unshielded
 Degree of protection IP67
 Mechanical operation > 100 Mating cycles

Material

Contact material CuSn (bronze)
 Contact plating Au (gold)
 Contact body material PA
 REACH SVHC CAS 7439-92-1 (Lead)

authorization/approvals

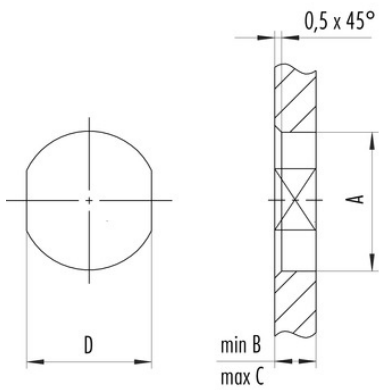
Approval 1 UL

Product description **M8 female panel mount connector, Contacts: 3, unshielded, dip-solder, IP67, UL**
 Area **M8 series 718**
 Order number **99 3412 282 03**

Assembly instructions / Panel cut-out

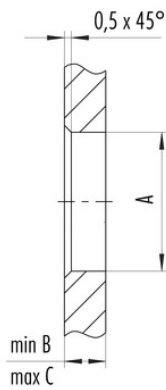
1. Einbauvorschlag

Mit Fläche als Verdrehschutz



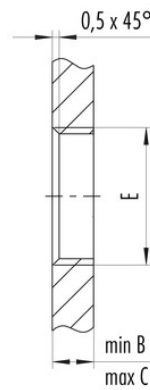
2. Einbauvorschlag

Mit Durchgangsbohrung



3. Einbauvorschlag

Mit Gewinde, einschraubbar



Gewinde E	A	B	C	D
M8 x 0,5	8,1	2,5	3,5	7,1
M8 x 1	8,1	2,5	3,5	7,1
M10 x 0,75	10,1	2,5	5,0	9,1

Anzugsdrehmoment 1 Nm

Product description	M8 female panel mount connector, Contacts: 3, unshielded, dip-solder, IP67, UL
Area	M8 series 718
Order number	99 3412 282 03

Security notices

The connectors have been developed for applications in plant engineering, control and electrical equipment construction. The user is responsible for checking whether the connectors can also be used in other areas of application.

Plug connectors with enclosure protection IP 67 and IP 68 are not suitable for use under water. When used outdoors, the plug connectors must be protected separately against corrosion. For further information on the IP protection classes, please refer to the "Technical Information" download centre.