

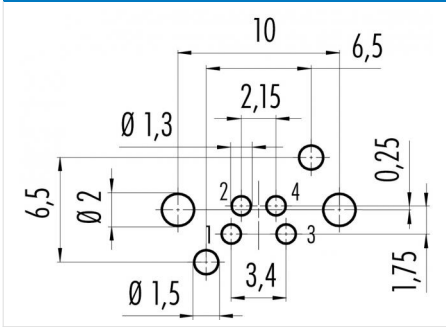
Product description **M8 male panel mount connector, Contacts: 4, unshielded, dip-solder, IP67, UL, M8x1.0, front mounting**

Area **M8 series 718**  
 Order number **99 3391 282 04**

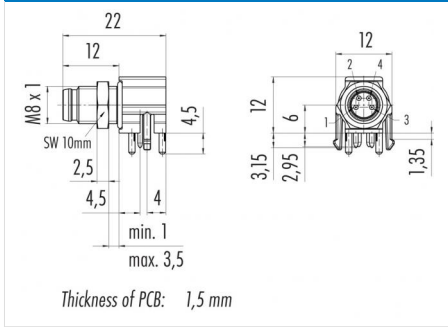
**Illustration**



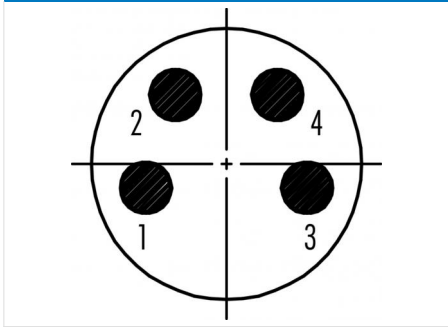
**Conductor layout**



**Scale drawing**



**Contact arrangement (Plug-in side)**



You can find the assembly instructions on the next page.

**Technical data**

**General values**

Connector design	male panel mount connector
Connector locking system	bolted / snap
Termination	dip-solder
Upper limit temperature	85 °C
Lower limit temperature	-40 °C
Customs tariff number	85369010

**Electrical values**

Rated current (40 °C)	4 A
Rated voltage	60 V
Rated impulse voltage	1500 V
Pollution degree	3
Overvoltage category	II
Insulating material group	II
EMC compliance	unshielded
Degree of protection	IP67
Mechanical operation	> 100 Mating cycles

**Material**

Contact material	CuZn (brass)
Contact plating	Au (gold)
Contact body material	PA
Housing material	PA
REACH SVHC	CAS 7439-92-1 (Lead)

**authorization/approvals**

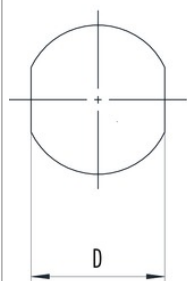
Approval 1	UL
------------	----

Product description **M8 male panel mount connector, Contacts: 4, unshielded, dip-solder, IP67, UL, M8x1.0, front mounting**

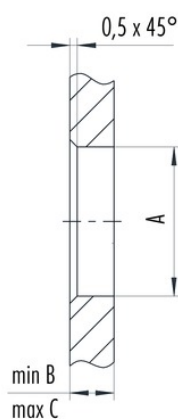
Area **M8 series 718**  
 Order number **99 3391 282 04**

Assembly instructions / Panel cut-out

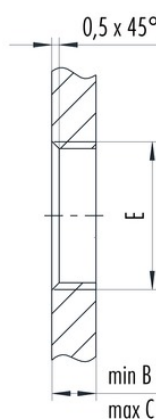
With flats as anti-rotation device



With bore hole



With thread to screw in



thread E	A	B	C	D
M8 x 0,5	8,1	2,5	4,5	7,1
M10 x 0,75	10,1	2,5	5,0	9,1

Tightening moment 1 Nm

Product description	<b>M8 male panel mount connector, Contacts: 4, unshielded, dip-solder, IP67, UL, M8x1.0, front mounting</b>
Area	<b>M8 series 718</b>
Order number	<b>99 3391 282 04</b>

## Security notices

The connectors have been developed for applications in plant engineering, control and electrical equipment construction. The user is responsible for checking whether the connectors can also be used in other areas of application.

Plug connectors with enclosure protection IP 67 and IP 68 are not suitable for use under water. When used outdoors, the plug connectors must be protected separately against corrosion. For further information on the IP protection classes, please refer to the "Technical Information" download centre.