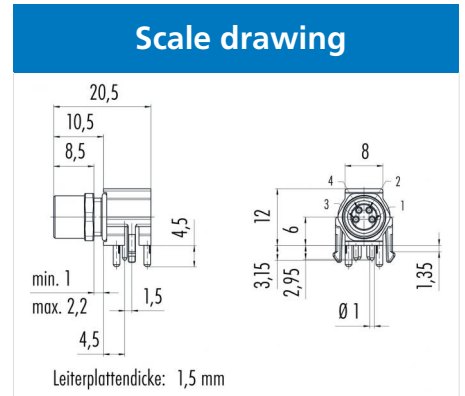
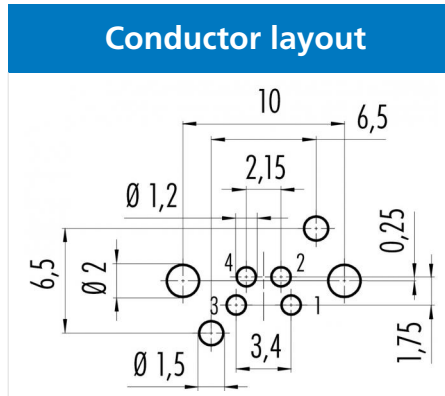
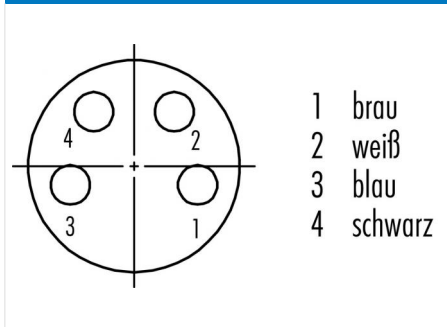


Product description	M8 female panel mount connector, Contacts: 4, unshielded, dip-solder, IP67, UL
Area	M8 series 718
Order number	99 3390 282 04



Contact arrangement (Plug-in side)



You can find the assembly instructions on the next page.

Technical data

General values

Connector design	female panel mount connector
Connector locking system	screw
Termination	dip-solder
Upper limit temperature	85 °C
Lower limit temperature	-40 °C
Customs tariff number	85369010

Electrical values

Rated current (40 °C)	4 A
Rated voltage	60 V
Rated impulse voltage	1500 V
Pollution degree	3
Overvoltage category	II
Insulating material group	II
EMC compliance	unshielded
Degree of protection	IP67
Mechanical operation	> 100 Mating cycles

Material

Contact material	CuSn (bronze)
Contact plating	Au (gold)
Contact body material	PA
REACH SVHC	CAS 7439-92-1 (Lead)

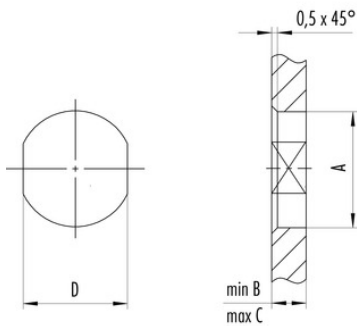
authorization/approvals

Approval 1	UL
------------	----

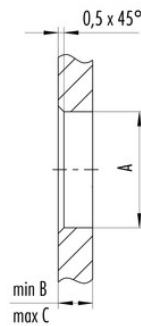
Product description **M8 female panel mount connector, Contacts: 4, unshielded, dip-solder, IP67, UL**
 Area **M8 series 718**
 Order number **99 3390 282 04**

Assembly instructions / Panel cut-out

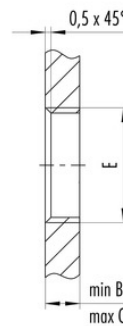
1st Installation proposal
 With flats as anti-rotation device



2nd Installation proposal
 With bore hole



3rd Installation proposal
 With thread to screw in



Thread E	A	B	C	D
M8 x 0,5	8,1	2,5	3,5	7,1
M8 x 1	8,1	2,5	3,5	7,1
M10 x 0,75	10,1	2,5	5,0	9,1

Tightening torque

M8 x 0,5	0,8 Nm
M8 x 1/M10 x 0,75	1,0 Nm

Product description	M8 female panel mount connector, Contacts: 4, unshielded, dip-solder, IP67, UL
Area	M8 series 718
Order number	99 3390 282 04

Security notices

The connectors have been developed for applications in plant engineering, control and electrical equipment construction. The user is responsible for checking whether the connectors can also be used in other areas of application.

Plug connectors with enclosure protection IP 67 and IP 68 are not suitable for use under water. When used outdoors, the plug connectors must be protected separately against corrosion. For further information on the IP protection classes, please refer to the "Technical Information" download centre.