

| | |
|---------------------|---|
| Product description | 7/8" female cable connector, Contacts: 4+PE, 6.0 - 8.0 mm, unshielded, screw clamp, IP67, UL, VDE |
| Area | 7/8" series 820 |
| Order number | 99 2444 282 05 |

| Illustration | Scale drawing | Contact arrangement (Plug-in side) | | | | | | | | | | |
|--------------|---------------|--|---|-------|---|------|---|--------------|---|-------|---|-------|
| | | <table style="margin-left: auto; margin-right: auto;"> <tr> <td>1</td> <td>black</td> </tr> <tr> <td>2</td> <td>blue</td> </tr> <tr> <td>3</td> <td>green/yellow</td> </tr> <tr> <td>4</td> <td>brown</td> </tr> <tr> <td>5</td> <td>white</td> </tr> </table> | 1 | black | 2 | blue | 3 | green/yellow | 4 | brown | 5 | white |
| 1 | black | | | | | | | | | | | |
| 2 | blue | | | | | | | | | | | |
| 3 | green/yellow | | | | | | | | | | | |
| 4 | brown | | | | | | | | | | | |
| 5 | white | | | | | | | | | | | |

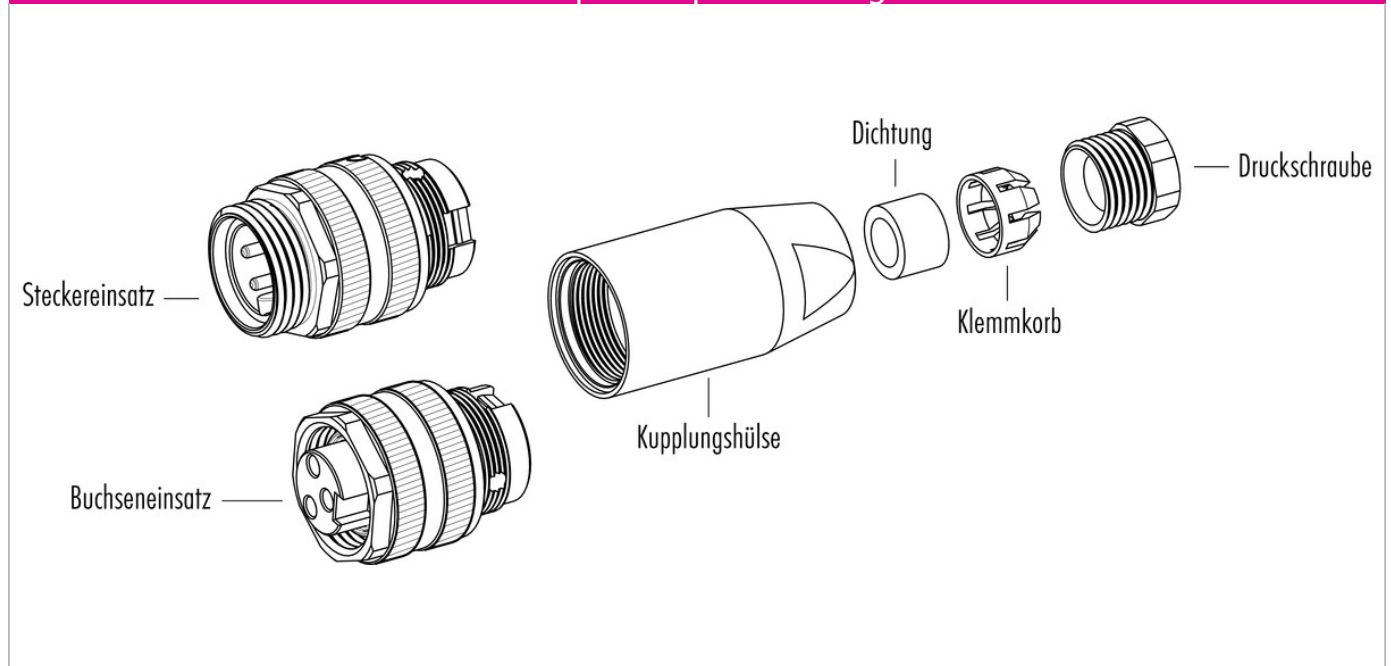
You can find the component part drawing and assembly instructions on the next page.

Technical data

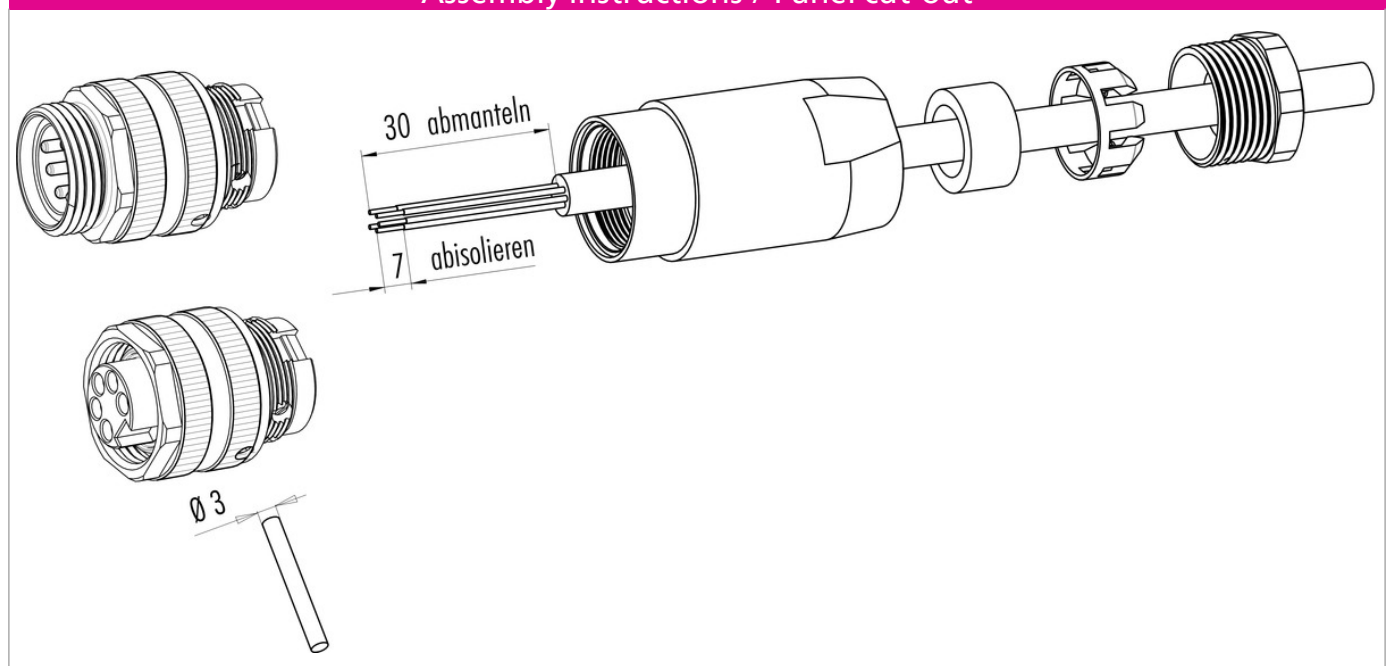
| | | |
|--|--|--|
| <h3 style="color: #e91e63; margin: 0;">General values</h3> <p>Connector design female cable connector Connector locking system screw Termination screw clamp Wire gauge (mm) max. 1.50 mm² Wire gauge (AWG) max. AWG 16 Cable outlet 6.0 - 8.0 mm Upper limit temperature 85 °C Lower limit temperature -25 °C Customs tariff number 85369010</p> | <h3 style="color: #e91e63; margin: 0;">Electrical values</h3> <p>Rated current (40 °C) 9 A Rated voltage 300 (UL 600 V) V Rated impulse voltage 4000 V Pollution degree 3 Overvoltage category III Insulating material group III Insulation resistance ≥ 10¹⁰ Ω EMC compliance unshielded Degree of protection IP67 Mechanical operation > 50 Mating cycles</p> | <h3 style="color: #e91e63; margin: 0;">Material</h3> <p>Contact material Pin: CuZn (brass) / Socket: CuSn (bronze) Contact plating Au (gold) Contact body material PUR/PA Housing material PBT Locking material stainless steel REACH SVHC CAS 7439-92-1 (Lead)</p> |
| <h3 style="color: #e91e63; margin: 0;">authorization/approvals</h3> <p>Approval 1 UL Approval 2 VDE</p> | | |

| | |
|---------------------|---|
| Product description | 7/8" female cable connector, Contacts: 4+PE, 6.0 - 8.0 mm, unshielded, screw clamp, IP67, UL, VDE |
| Area | 7/8" series 820 |
| Order number | 99 2444 282 05 |

Component part drawing



Assembly instructions / Panel cut-out



| | |
|---------------------|---|
| Product description | 7/8" female cable connector, Contacts: 4+PE, 6.0 - 8.0 mm, unshielded, screw clamp, IP67, UL, VDE |
| Area | 7/8" series 820 |
| Order number | 99 2444 282 05 |

Security notices

The connector must not be plugged or unplugged under load. Non-observance and improper use can result in personal injury.

The connectors have been developed for applications in plant engineering, control and electrical equipment construction. The user is responsible for checking whether the connectors can also be used in other areas of application.

Connectors which are used in circuits with voltages dangerous to the touch may only be installed and used by, or under the supervision of, persons with electrical engineering training, taking into account the applicable regulations and standards.

Plug connectors with enclosure protection IP 67 and IP 68 are not suitable for use under water. When used outdoors, the plug connectors must be protected separately against corrosion. For further information on the IP protection classes, please refer to the "Technical Information" download centre. To lock the cable connector with the device connector, the threaded ring is tightened "hand-tight" (approx. 50 cNm).