

Product description	7/8" female cable connector, Contacts: 3+PE, 6.0 - 8.0 mm, unshielded, screw clamp, IP67, UL, VDE
Area	7/8" series 820
Order number	99 2442 282 04

Illustration	Scale drawing	Contact arrangement (Plug-in side)

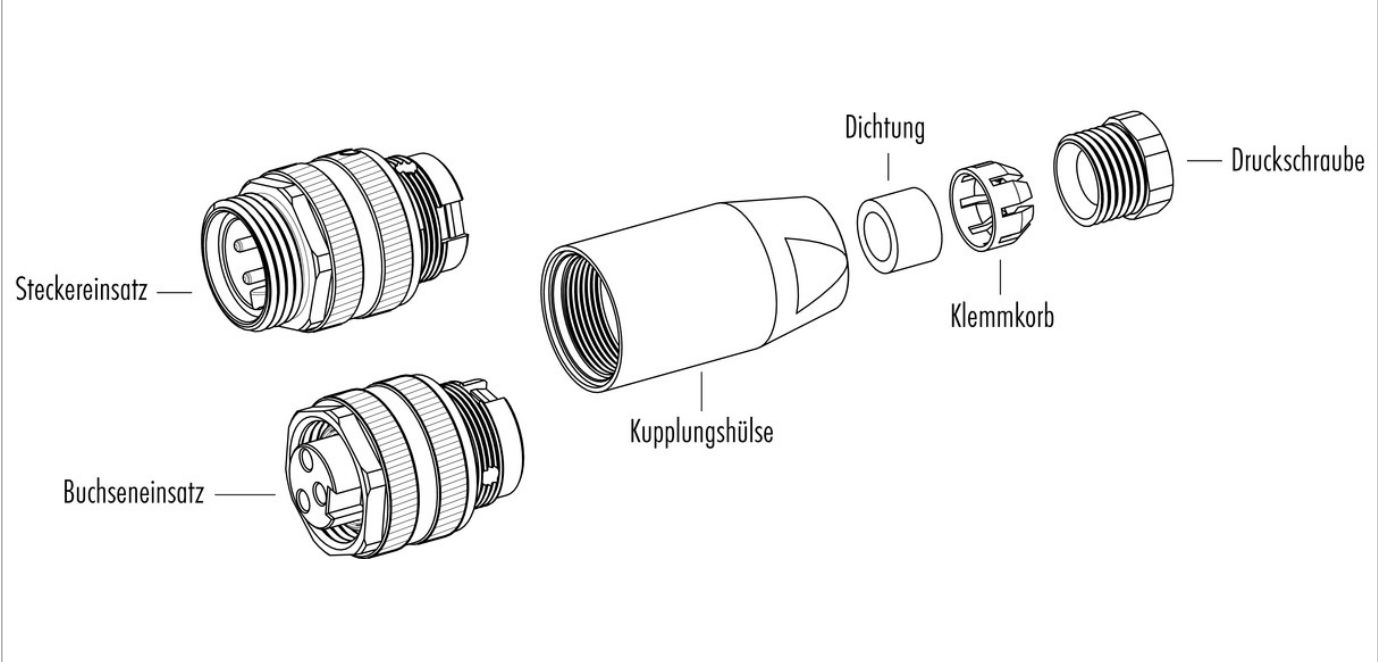
You can find the component part drawing and assembly instructions on the next page.

Technical data

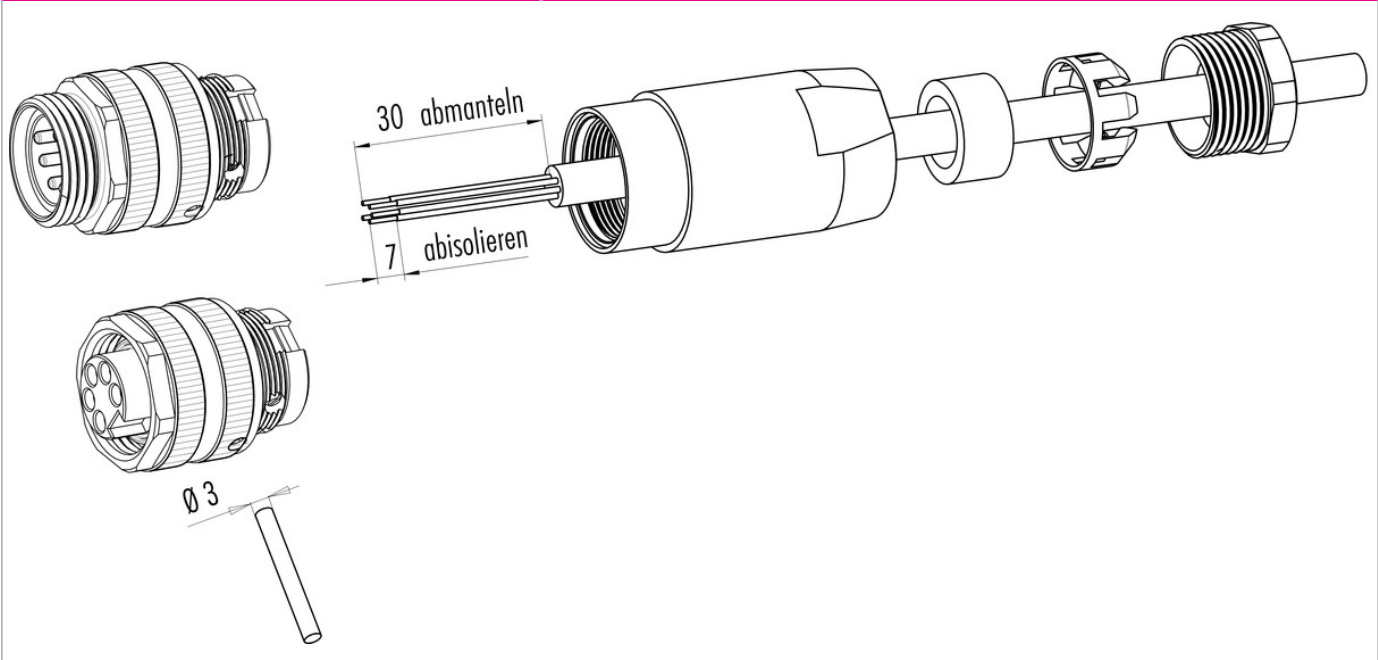
<h3 style="color: #e91e63;">General values</h3> <table border="0"> <tr><td>Connector design</td><td>female cable connector</td></tr> <tr><td>Connector locking system</td><td>screw</td></tr> <tr><td>Termination</td><td>screw clamp</td></tr> <tr><td>Wire gauge (mm)</td><td>max. 1.50 mm²</td></tr> <tr><td>Wire gauge (AWG)</td><td>max. AWG 16</td></tr> <tr><td>Cable outlet</td><td>6.0 - 8.0 mm</td></tr> <tr><td>Upper limit temperature</td><td>85 °C</td></tr> <tr><td>Lower limit temperature</td><td>-25 °C</td></tr> <tr><td>Customs tariff number</td><td>85369010</td></tr> </table>		Connector design	female cable connector	Connector locking system	screw	Termination	screw clamp	Wire gauge (mm)	max. 1.50 mm ²	Wire gauge (AWG)	max. AWG 16	Cable outlet	6.0 - 8.0 mm	Upper limit temperature	85 °C	Lower limit temperature	-25 °C	Customs tariff number	85369010	<h3 style="color: #e91e63;">Electrical values</h3> <table border="0"> <tr><td>Rated current (40 °C)</td><td>9 A</td></tr> <tr><td>Rated voltage</td><td>300 (UL 600 V) V</td></tr> <tr><td>Rated impulse voltage</td><td>4000 V</td></tr> <tr><td>Pollution degree</td><td>3</td></tr> <tr><td>Overvoltage category</td><td>III</td></tr> <tr><td>Insulating material group</td><td>III</td></tr> <tr><td>Insulation resistance</td><td>≥ 10¹⁰ Ω</td></tr> <tr><td>EMC compliance</td><td>unshielded</td></tr> <tr><td>Degree of protection</td><td>IP67</td></tr> <tr><td>Mechanical operation</td><td>> 50 Mating cycles</td></tr> </table>		Rated current (40 °C)	9 A	Rated voltage	300 (UL 600 V) V	Rated impulse voltage	4000 V	Pollution degree	3	Overvoltage category	III	Insulating material group	III	Insulation resistance	≥ 10 ¹⁰ Ω	EMC compliance	unshielded	Degree of protection	IP67	Mechanical operation	> 50 Mating cycles
Connector design	female cable connector																																								
Connector locking system	screw																																								
Termination	screw clamp																																								
Wire gauge (mm)	max. 1.50 mm ²																																								
Wire gauge (AWG)	max. AWG 16																																								
Cable outlet	6.0 - 8.0 mm																																								
Upper limit temperature	85 °C																																								
Lower limit temperature	-25 °C																																								
Customs tariff number	85369010																																								
Rated current (40 °C)	9 A																																								
Rated voltage	300 (UL 600 V) V																																								
Rated impulse voltage	4000 V																																								
Pollution degree	3																																								
Overvoltage category	III																																								
Insulating material group	III																																								
Insulation resistance	≥ 10 ¹⁰ Ω																																								
EMC compliance	unshielded																																								
Degree of protection	IP67																																								
Mechanical operation	> 50 Mating cycles																																								
<h3 style="color: #e91e63;">Material</h3> <table border="0"> <tr> <td>Contact material</td> <td>Pin: CuZn (brass) / Socket: CuSn (bronze)</td> </tr> <tr> <td>Contact plating</td> <td>Au (gold)</td> </tr> <tr> <td>Contact body material</td> <td>PUR/PA</td> </tr> <tr> <td>Housing material</td> <td>PBT</td> </tr> <tr> <td>Locking material</td> <td>stainless steel</td> </tr> <tr> <td>REACH SVHC</td> <td>CAS 7439-92-1 (Lead)</td> </tr> </table>		Contact material	Pin: CuZn (brass) / Socket: CuSn (bronze)	Contact plating	Au (gold)	Contact body material	PUR/PA	Housing material	PBT	Locking material	stainless steel	REACH SVHC	CAS 7439-92-1 (Lead)	<h3 style="color: #e91e63;">authorization/approvals</h3> <table border="0"> <tr> <td>Approval 1</td> <td>UL</td> </tr> <tr> <td>Approval 2</td> <td>VDE</td> </tr> </table>		Approval 1	UL	Approval 2	VDE																						
Contact material	Pin: CuZn (brass) / Socket: CuSn (bronze)																																								
Contact plating	Au (gold)																																								
Contact body material	PUR/PA																																								
Housing material	PBT																																								
Locking material	stainless steel																																								
REACH SVHC	CAS 7439-92-1 (Lead)																																								
Approval 1	UL																																								
Approval 2	VDE																																								

Product description	7/8" female cable connector, Contacts: 3+PE, 6.0 - 8.0 mm, unshielded, screw clamp, IP67, UL, VDE
Area	7/8" series 820
Order number	99 2442 282 04

Component part drawing



Assembly instructions / Panel cut-out



Product description	7/8" female cable connector, Contacts: 3+PE, 6.0 - 8.0 mm, unshielded, screw clamp, IP67, UL, VDE
Area	7/8" series 820
Order number	99 2442 282 04

Security notices

The connector must not be plugged or unplugged under load. Non-observance and improper use can result in personal injury.

The connectors have been developed for applications in plant engineering, control and electrical equipment construction. The user is responsible for checking whether the connectors can also be used in other areas of application.

Connectors which are used in circuits with voltages dangerous to the touch may only be installed and used by, or under the supervision of, persons with electrical engineering training, taking into account the applicable regulations and standards.

Plug connectors with enclosure protection IP 67 and IP 68 are not suitable for use under water. When used outdoors, the plug connectors must be protected separately against corrosion. For further information on the IP protection classes, please refer to the "Technical Information" download centre. To lock the cable connector with the device connector, the threaded ring is tightened "hand-tight" (approx. 50 cNm).