

| | |
|---------------------|---|
| Product description | Bayonet female cable connector, Contacts: 5, 3.0 - 4.0 mm, unshielded, solder, IP40 |
| Area | Bayonet series 710 |
| Order number | 99 0996 100 05 |

| Illustration | Scale drawing | Contact arrangement (Plug-in side) |
|--------------|---------------|------------------------------------|
| | | |

You can find the component part drawing on the next page.

Technical data

General values

| | |
|--------------------------|---------------------------|
| Connector design | female cable connector |
| Connector locking system | Bayonet |
| Termination | solder |
| Wire gauge (mm) | max. 0.25 mm ² |
| Wire gauge (AWG) | max. AWG 24 |
| Cable outlet | 3.0 - 4.0 mm |
| Upper limit temperature | 85 °C |
| Lower limit temperature | -40 °C |
| Customs tariff number | 85369010 |

Electrical values

| | |
|---------------------------|----------------------|
| Rated current (40 °C) | 3 A |
| Rated voltage | 125 V |
| Rated impulse voltage | 1500 V |
| Pollution degree | 1 |
| Overvoltage category | II |
| Insulating material group | III |
| Insulation resistance | ≥ 10 ¹⁰ Ω |
| EMC compliance | unshielded |
| Degree of protection | IP40 |
| Mechanical operation | > 500 Mating cycles |

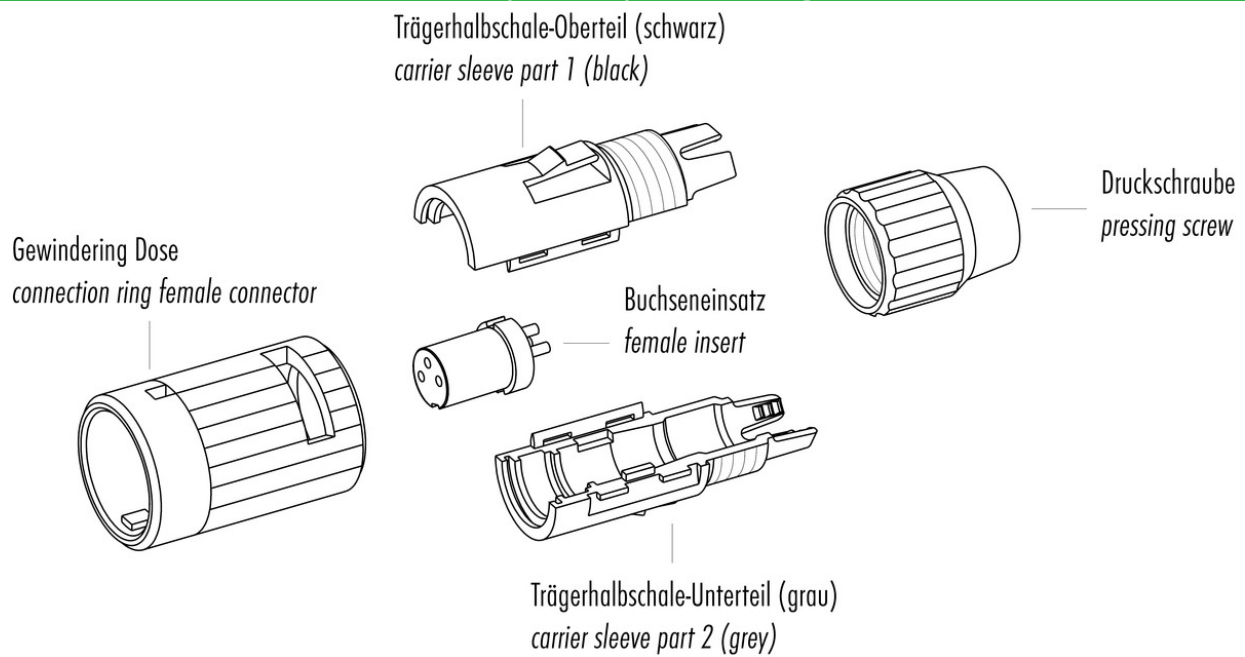
Material

| | |
|-----------------------|----------------------|
| Contact material | CuSn (bronze) |
| Contact plating | Au (gold) |
| Contact body material | PA (UL94 V-0) |
| Housing material | PA |
| REACH SVHC | CAS 7439-92-1 (Lead) |

Product description Bayonet female cable connector, Contacts: 5, 3.0 - 4.0 mm, unshielded, solder, IP40

Area Bayonet series 710
Order number 99 0996 100 05

Component part drawing



Product description **Bayonet female cable connector, Contacts: 5, 3.0 - 4.0 mm, unshielded, solder, IP40**

Area **Bayonet series 710**
Order number **99 0996 100 05**

Security notices

The connector must not be plugged or unplugged under load. Non-observance and improper use can result in personal injury.

The connectors have been developed for applications in plant engineering, control and electrical equipment construction. The user is responsible for checking whether the connectors can also be used in other areas of application.

Connectors which are used in circuits with voltages dangerous to the touch may only be installed and used by, or under the supervision of, persons with electrical engineering training, taking into account the applicable regulations and standards.