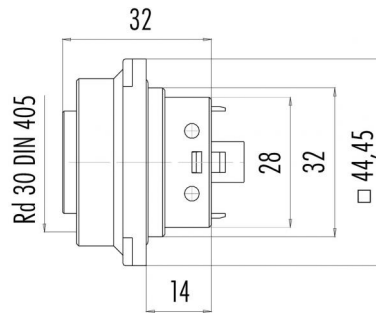


Product description **RD30 female panel mount connector, Contacts: 24, solder, IP65**  
Area **RD30 series 694**  
Order number **99 0740 00 24**

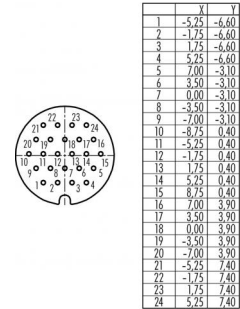
### Illustration



### Scale drawing



### Contact arrangement (Plug-in side)



You can find the assembly instructions on the next page.

## Technical data

### General values

Connector design female panel mount connector  
Connector locking system screw  
Termination solder  
Wire gauge (mm) max. 0.25 mm<sup>2</sup>  
Wire gauge (AWG) max. AWG 24  
Upper limit temperature 100 °C  
Lower limit temperature -40 °C  
Customs tariff number 85369010

### Electrical values

Rated current (40 °C) 3 A  
Rated voltage 125 V  
Rated impulse voltage 2500 V  
Pollution degree 3  
Overvoltage category III  
Insulating material group III  
Insulation resistance  $\geq 10^{10} \Omega$   
Degree of protection IP65  
Mechanical operation > 500 Mating cycles

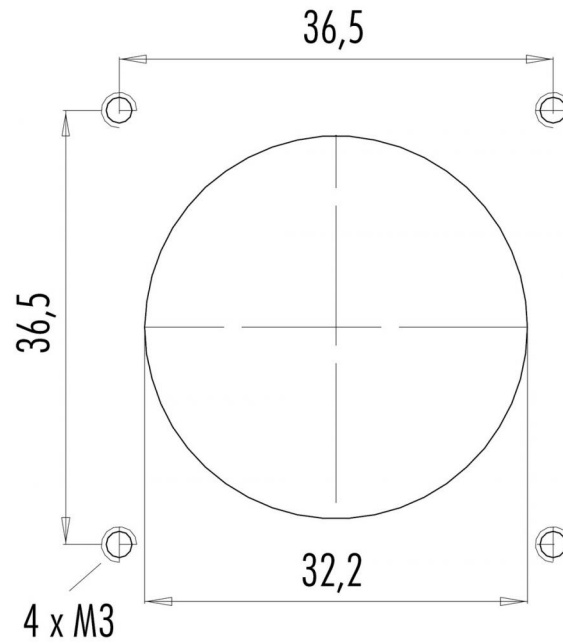
### Material

Contact material CuSn (bronze)  
Contact plating Au (gold)  
Contact body material PA (UL94 HB)  
Housing material PA  
REACH SVHC CAS 7439-92-1 (Lead)

Product description **RD30 female panel mount connector, Contacts: 24, solder, IP65**

Area **RD30 series 694**  
Order number **99 0740 00 24**

### Assembly instructions / Panel cut-out



Product description	<b>RD30 female panel mount connector, Contacts: 24, solder, IP65</b>
Area	<b>RD30 series 694</b>
Order number	<b>99 0740 00 24</b>

## Security notices

The connector must not be plugged or unplugged under load. Non-observance and improper use can result in personal injury.

The connectors have been developed for applications in plant engineering, control and electrical equipment construction. The user is responsible for checking whether the connectors can also be used in other areas of application.

Plug connectors with enclosure protection IP 67 and IP 68 are not suitable for use under water. When used outdoors, the plug connectors must be protected separately against corrosion. For further information on the IP protection classes, please refer to the "Technical Information" download centre.