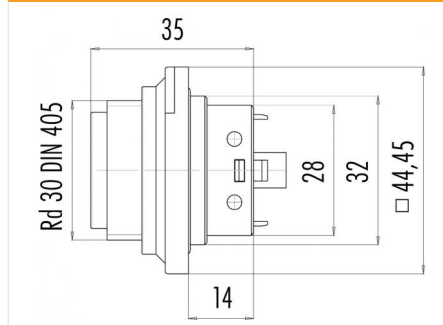


Product description **RD30 male panel mount connector, Contacts: 4+PE, unshielded, screw clamp, IP65, ESTI+, VDE**
 Area **RD30 series 694**
 Order number **99 0711 00 05**

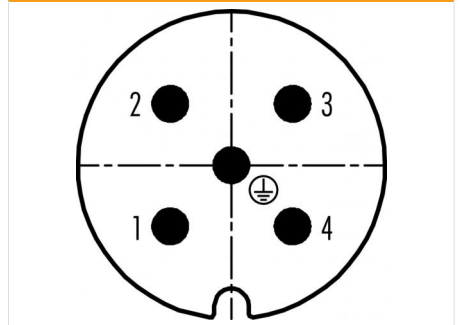
Illustration



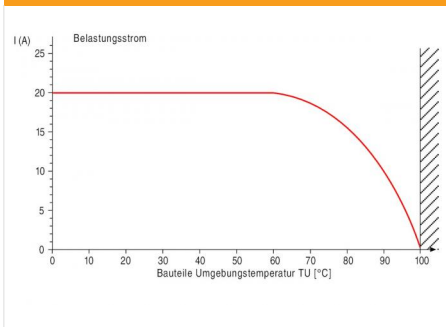
Scale drawing



Contact arrangement (Plug-in side)



Derating curve



You can find the assembly instructions on the next page.

Technical data

General values

Connector design	male panel mount connector
Connector locking system	screw
Termination	screw clamp
Wire gauge (mm)	2.50 mm ²
Wire gauge (AWG)	max. AWG 14
Upper limit temperature	100 °C
Lower limit temperature	-40 °C
Customs tariff number	85369010

Electrical values

Rated current (40 °C)	20 A
Rated voltage	400 V
Rated impulse voltage	6000 V
Pollution degree	3
Overvoltage category	III
Insulating material group	III
Insulation resistance	≥ 10 ¹⁰ Ω
EMC compliance	unshielded
Degree of protection	IP65
Mechanical operation	> 500 Mating cycles

Material

Contact material	CuZn (brass)
Contact plating	Ag (silver)
Contact body material	PA (UL94 HB)
Housing material	PA
REACH SVHC	CAS 7439-92-1 (Lead)

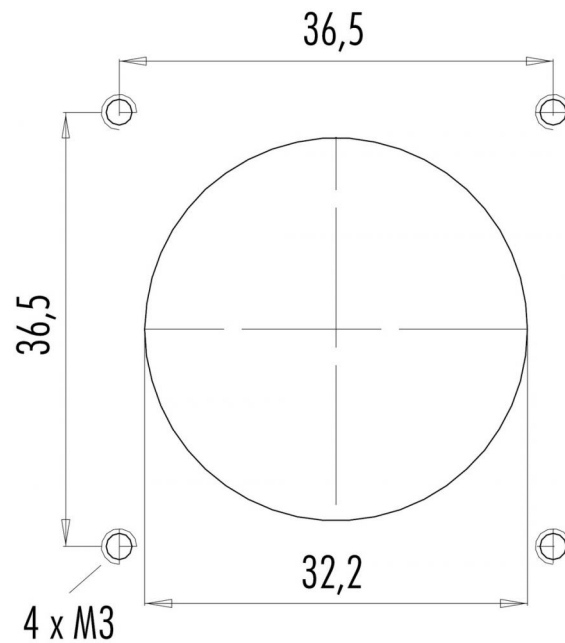
authorization/approvals

Approval 1	ESTI+
Approval 2	VDE

Product description RD30 male panel mount connector, Contacts: 4+PE, unshielded, screw clamp, IP65, ESTI+, VDE

Area RD30 series 694
Order number 99 0711 00 05

Assembly instructions / Panel cut-out



Product description	RD30 male panel mount connector, Contacts: 4+PE, unshielded, screw clamp, IP65, ESTI+, VDE
Area	RD30 series 694
Order number	99 0711 00 05

Security notices

The connector must not be plugged or unplugged under load. Non-observance and improper use can result in personal injury.

The connectors have been developed for applications in plant engineering, control and electrical equipment construction. The user is responsible for checking whether the connectors can also be used in other areas of application.

The user must take suitable safety precautions to ensure that the connector cannot be accidentally disconnected.

Plug connectors with enclosure protection IP 67 and IP 68 are not suitable for use under water. When used outdoors, the plug connectors must be protected separately against corrosion. For further information on the IP protection classes, please refer to the "Technical Information" download centre.