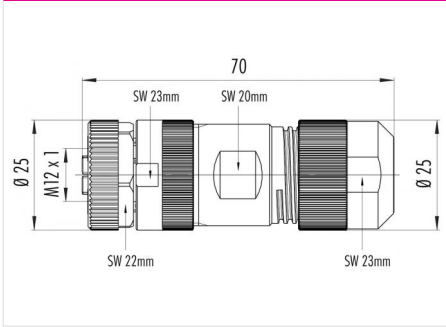


Product description	M12-L female cable connector, Contacts: 4+FE, 8.0 - 13.0 mm, unshielded, screw clamp, IP67, M12x1.0
Area	M12-L series 823
Order number	99 0640 29 05

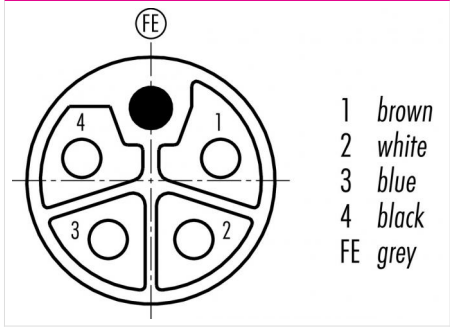
Illustration



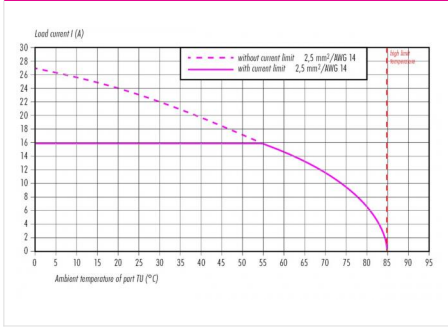
Scale drawing



Contact arrangement (Plug-in side)



Derating curve



You can find the component part drawing and assembly instructions on the next page.

Technical data

General values

Connector design	female cable connector
Connector locking system	screw
Termination	screw clamp
Wire gauge (mm)	max. 1.50 mm ² with ferrule / max. 2.50 mm ² without ferrule
Wire gauge (AWG)	16 with ferrule / 14 without ferrule
Cable outlet	8.0 - 13.0 mm
Upper limit temperature	85 °C
Lower limit temperature	-40 °C
Customs tariff number	85369010

Electrical values

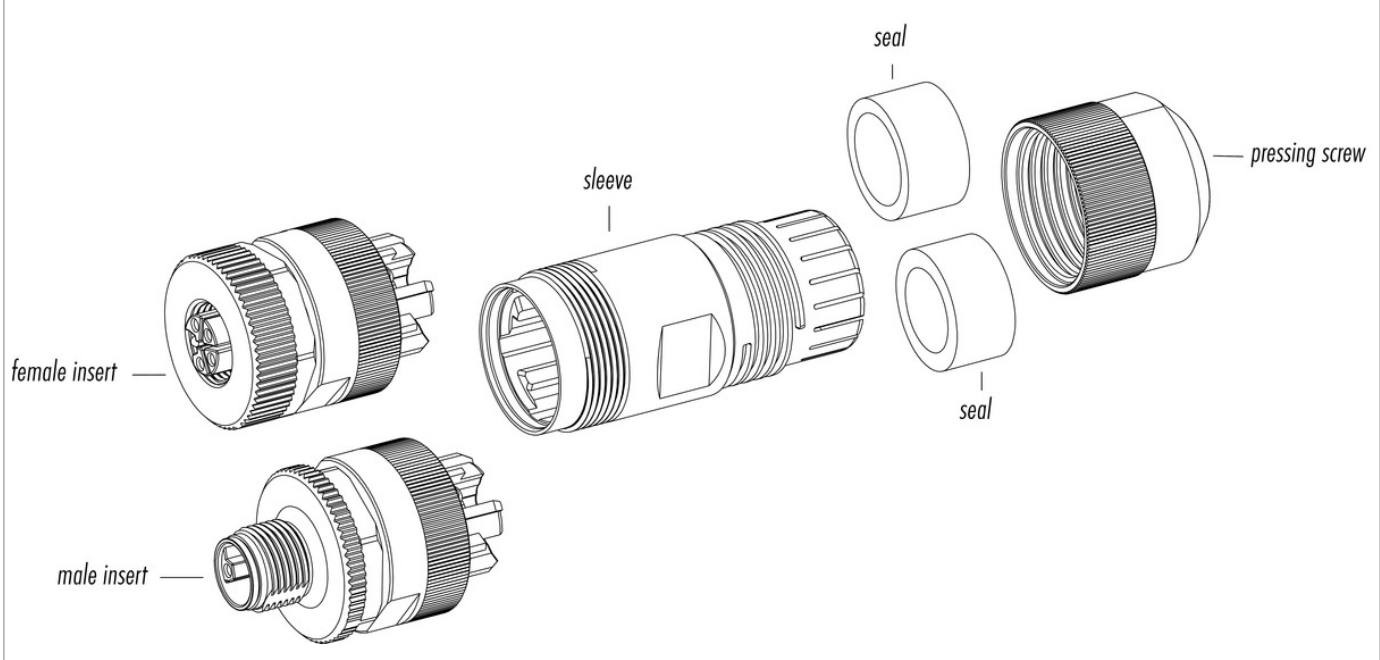
Rated current (40 °C)	12 A (at 1.5mm ² / AWG16) / 16 A (at 2.5mm ² / AWG14)
Rated voltage	63 V
Rated impulse voltage UL	1500V
Rated impulse voltage	1500 V
Pollution degree	3
Overvoltage category	III
Insulating material group	I
Insulation resistance	> 10 ¹⁰ Ω
EMC compliance	unshielded
Degree of protection	IP67
Mechanical operation	> 100 Mating cycles

Material

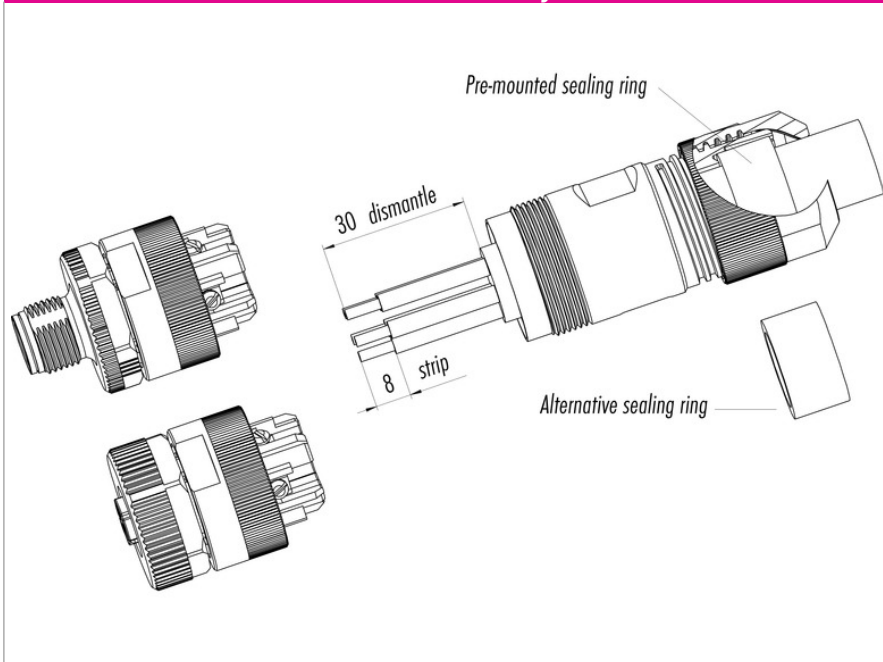
Contact material	CuZn (brass)
Contact plating	Au (gold)
Contact body material	PA (UL94 V-0)
Housing material	PA
REACH SVHC	CAS 7439-92-1 (Lead)

Product description	M12-L female cable connector, Contacts: 4+FE, 8.0 - 13.0 mm, unshielded, screw clamp, IP67, M12x1.0
Area	M12-L series 823
Order number	99 0640 29 05

Component part drawing



Assembly instructions / Panel cut-out



1. Clamp out screws until bores for single wires are completely free.
2. Optional:
Change the the pre-mounted sealing ring against the alternative sealing ring when cable diameter is bigger than 10,5 mm.
3. Push sleeve on cable with cable clamp.
4. Cut off cable coating,
5. Strip single cores and twist single wires.
6. Screw single wires.
7. Secure screw between contact insert and sleeve with 1 or 2 drops of Cyanoacrylate against unintentional release and screw on sleeve afterwards.
8. Turn on pressing screw.

Product description	M12-L female cable connector, Contacts: 4+FE, 8.0 - 13.0 mm, unshielded, screw clamp, IP67, M12x1.0
Area	M12-L series 823
Order number	99 0640 29 05

Security notices

The connectors have been developed for applications in plant engineering, control and electrical equipment construction. The user is responsible for checking whether the connectors can also be used in other areas of application.

Plug connectors with enclosure protection IP 67 and IP 68 are not suitable for use under water. When used outdoors, the plug connectors must be protected separately against corrosion. For further information on the IP protection classes, please refer to the "Technical Information" download centre. To lock the cable connector with the device connector, the threaded ring is tightened "hand-tight" (approx. 50 cNm).