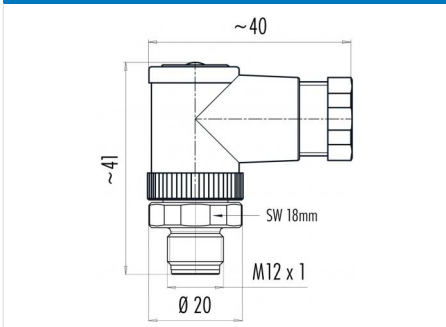


Product description	M12-A male angled connector, Contacts: 5, 4.0 - 6.0 mm, unshielded, screw clamp, IP67, UL
Area	M12-A series 713
Order number	99 0437 92 05

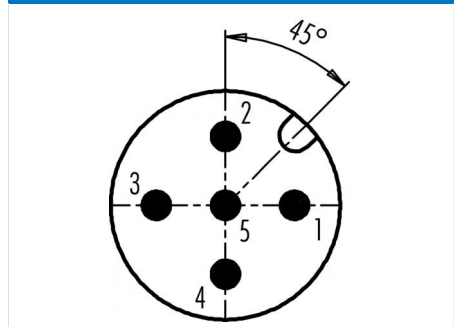
Illustration



Scale drawing



Contact arrangement (Plug-in side)



You can find the component part drawing and assembly instructions on the next page.

Technical data

General values

Connector design	male angled connector
Connector locking system	screw
Termination	screw clamp
Wire gauge (mm)	max. 0.75 mm ²
Wire gauge (AWG)	max. AWG 18
Cable outlet	4.0 - 6.0 mm
Upper limit temperature	85 °C
Lower limit temperature	-40 °C
Customs tariff number	85369010

Electrical values

Rated current (40 °C)	4 A (3 A UL)
Rated voltage	60 V
Rated impulse voltage	1500 V
Pollution degree	3
Overvoltage category	II
Insulating material group	III
Insulation resistance	> 10 ⁸ Ω
EMC compliance	unshielded
Degree of protection	IP67
Mechanical operation	> 100 Mating cycles

Material

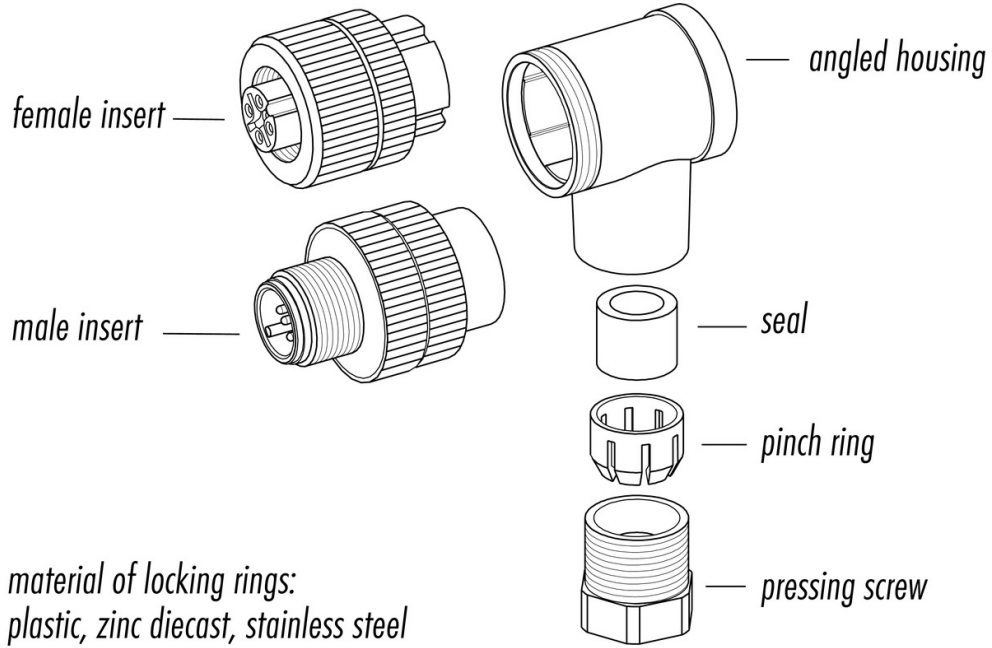
Contact material	CuZn (brass)
Contact plating	Au (gold)
Contact body material	PA
Housing material	PA
Locking material	stainless steel
REACH SVHC	CAS 96-45-7 (Imidazolidine-2-thione) CAS 7439-92-1 (Lead)

authorization/approvals

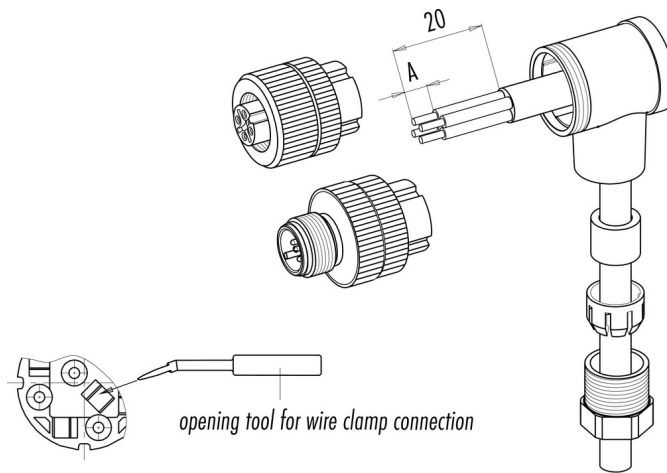
Approval 1	UL
------------	----

Product description **M12-A male angled connector, Contacts: 5, 4.0 - 6.0 mm, unshielded, screw clamp, IP67, UL**
 Area **M12-A series 713**
 Order number **99 0437 92 05**

Component part drawing



Assembly instructions / Panel cut-out



	screw connection	solder version	wire clamp connection
measure A/mm	5	3,5	7

material of locking rings: plastic, zinc diecast, stainless steel

Product description	M12-A male angled connector, Contacts: 5, 4.0 - 6.0 mm, unshielded, screw clamp, IP67, UL
Area	M12-A series 713
Order number	99 0437 92 05

Security notices

The connectors have been developed for applications in plant engineering, control and electrical equipment construction. The user is responsible for checking whether the connectors can also be used in other areas of application.

Plug connectors with enclosure protection IP 67 and IP 68 are not suitable for use under water. When used outdoors, the plug connectors must be protected separately against corrosion. For further information on the IP protection classes, please refer to the "Technical Information" download centre. To lock the cable connector with the device connector, the threaded ring is tightened "hand-tight" (approx. 60 cNm).