

|                     |   |
|---------------------|---|
| Product description | M16 IP67 female angled connector, Contacts: 7, 4.0 - 6.0 mm, unshielded, solder, IP67 |
| Area                | M16 IP67 series 723   |
| Order number        | 99 0126 118 07  |

| Illustration | Scale drawing | Contact arrangement (Plug-in side) |
|--------------|---------------|------------------------------------|
|              |               |                                    |

You can find the component part drawing on the next page.

## Technical data

### General values

|                          |                           |
|--------------------------|---------------------------|
| Connector design         | female angled connector   |
| Connector locking system | screw                     |
| Termination              | solder                    |
| Wire gauge (mm)          | max. 0.75 mm <sup>2</sup> |
| Wire gauge (AWG)         | max. AWG 18               |
| Cable outlet             | 4.0 - 6.0 mm              |
| Upper limit temperature  | 95 °C                     |
| Lower limit temperature  | -40 °C                    |
| Customs tariff number    | 85369010                  |

### Electrical values

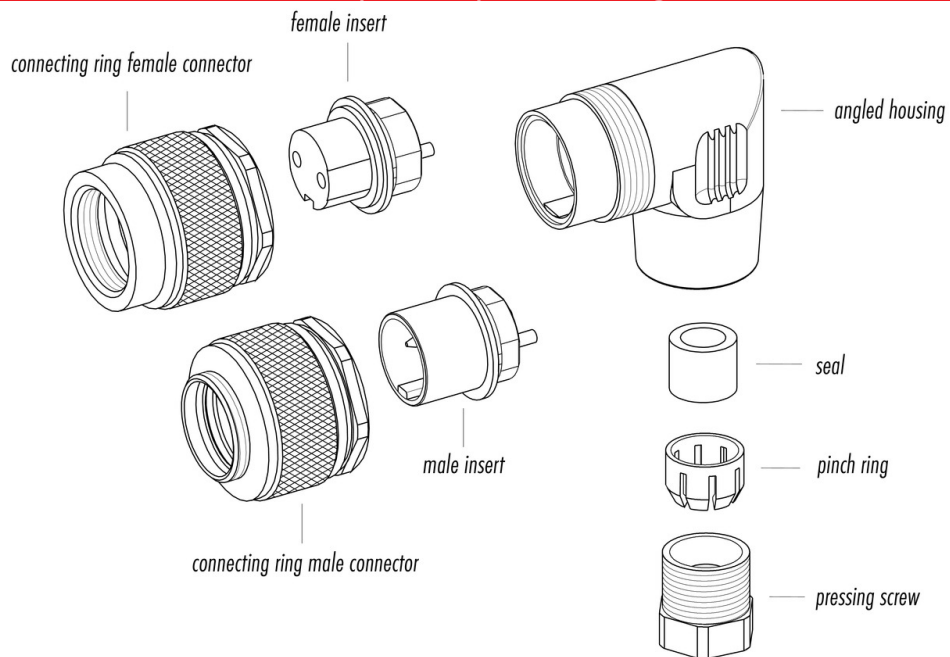
|                           |                      |
|---------------------------|----------------------|
| Rated current (40 °C)     | 5 A                  |
| Rated voltage             | 125 V                |
| Rated impulse voltage     | 800 V                |
| Pollution degree          | 1                    |
| Overvoltage category      | I                    |
| Insulating material group | III                  |
| Insulation resistance     | ≥ 10 <sup>10</sup> Ω |
| EMC compliance            | unshielded           |
| Degree of protection      | IP67                 |
| Mechanical operation      | > 500 Mating cycles  |

### Material

|                       |   |
|-----------------------|---|
| Contact material      | CuSn (bronze)   |
| Contact plating       | Au (gold)   |
| Contact body material | PBT (UL94 V-0)  |
| Housing material      | PA  |
| REACH SVHC            | CAS 96-45-7<br>(Imidazolidine-2-thione)<br>CAS 7439-92-1 (Lead) |

|                     |   |
|---------------------|---|
| Product description | M16 IP67 female angled connector, Contacts: 7, 4.0 - 6.0 mm, unshielded, solder, IP67 |
| Area                | M16 IP67 series 723   |
| Order number        | 99 0126 118 07  |

Component part drawing



|                     |   |
|---------------------|---|
| Product description | M16 IP67 female angled connector, Contacts: 7, 4.0 - 6.0 mm, unshielded, solder, IP67 |
| Area                | M16 IP67 series 723   |
| Order number        | 99 0126 118 07  |

## Security notices

The connector must not be plugged or unplugged under load. Non-observance and improper use can result in personal injury.

The connectors have been developed for applications in plant engineering, control and electrical equipment construction. The user is responsible for checking whether the connectors can also be used in other areas of application.

Connectors which are used in circuits with voltages dangerous to the touch may only be installed and used by, or under the supervision of, persons with electrical engineering training, taking into account the applicable regulations and standards.

Plug connectors with enclosure protection IP 67 and IP 68 are not suitable for use under water. When used outdoors, the plug connectors must be protected separately against corrosion. For further information on the IP protection classes, please refer to the "Technical Information" download centre. To lock the cable connector with the device connector, the threaded ring is tightened "hand-tight" (approx. 50 cNm).