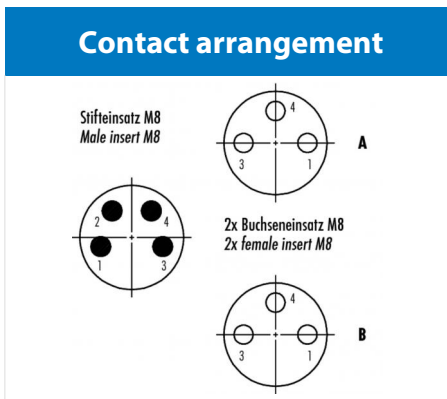
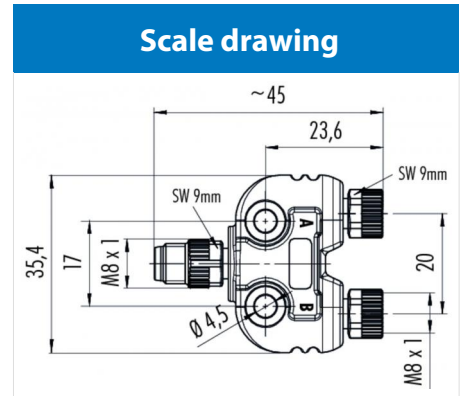
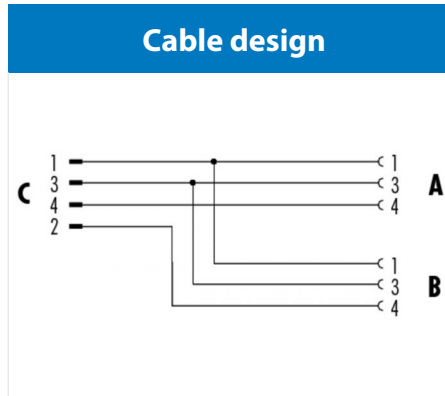


|                     |  |
|---------------------|--|
| Product description | <b>M8 double distributor box, Contacts: 4/3, not shielded, pluggable, IP67, UL listed, M12x1.0</b> |
| Area                | <b>M8 series 765</b>   |
| Order number        | <b>79 5232 70 04</b>   |



You can find the assembly instructions on the next page.

## Technical data

### General values

|                          |                        |
|--------------------------|------------------------|
| Connector design         | double distributor box |
| Connector locking system | screw                  |
| Termination              | pluggable              |
| Upper limit temperature  | 85 °C                  |
| Lower limit temperature  | - 25 °C                |
| Customs tariff number    | 85369010               |
| Packaging Unit           | 4                      |

### Cable data

|            |           |
|------------|-----------|
| Approval 1 | UL listed |
|------------|-----------|

### Electrical values

|                           |                     |
|---------------------------|---------------------|
| Rated current (40 °C)     | 4 A                 |
| Rated voltage             | 30 V                |
| Rated impulse voltage     | 800 V               |
| Pollution degree          | 3                   |
| Overvoltage category      | II                  |
| Insulating material group | II                  |
| EMC compliance            | not shielded        |
| Degree of protection      | IP67                |
| Mechanical operation      | > 100 Mating cycles |

### Material

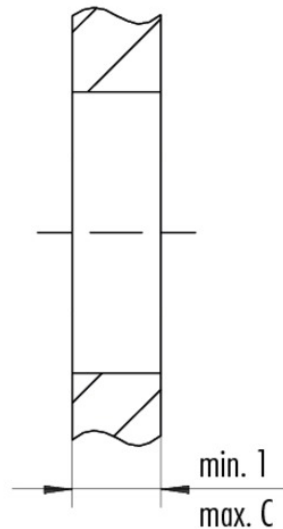
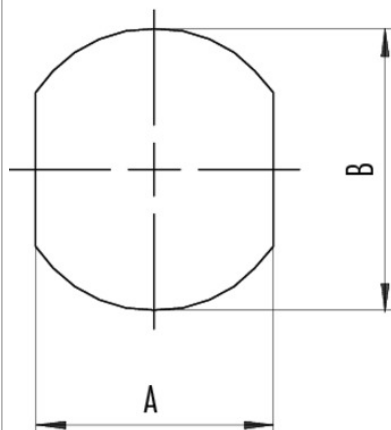
|                       |   |
|-----------------------|---|
| Contact material      | Pin: CuZn (brass) / Socket: CuSn (bronze) |
| Contact plating       | Au (gold)                                 |
| Contact body material | PUR                                       |
| Housing material      | PUR                                       |

Product description **M8 double distributor box, Contacts: 4/3, not shielded, pluggable, IP67, UL listed, M12x1.0**

Area **M8 series 765**  
 Order number **79 5232 70 04**

Assembly instructions / Panel cut-out

Schaltschrankdurchführung mit Durchgangsbohrung



|     | A    | B    | C  |
|-----|------|------|----|
| M8  | 13,5 | 16,1 | 12 |
| M12 | 18,2 | 20,1 | 9  |

|                     |  |
|---------------------|--|
| Product description | <b>M8 double distributor box, Contacts: 4/3, not shielded, pluggable, IP67, UL listed, M12x1.0</b> |
| Area                | <b>M8 series 765</b>   |
| Order number        | <b>79 5232 70 04</b>   |

## Security notices

The connectors are designed for use in plant, control system and electrical equipment. The end user is responsible for checking whether the connectors are suitable for use in other applications.

Connectors with degree of protection IP 67 and IP 68 are not suitable for use under water. When used outdoors, the connectors must be separately protected against corrosion. For further information about IP degrees of protection refer to 'Technical support' in the Download Centre.

To lock the cable connector to the equipment connector, the threaded ring is tightened until it is 'finger-tight' (approx. 50 cNm).