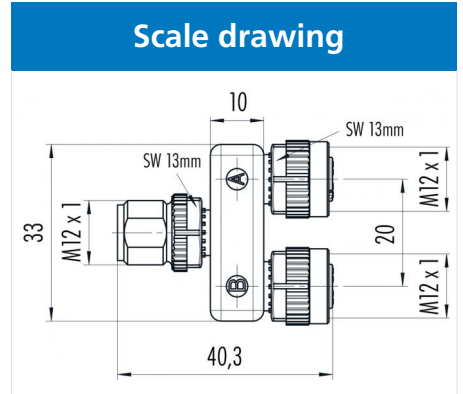
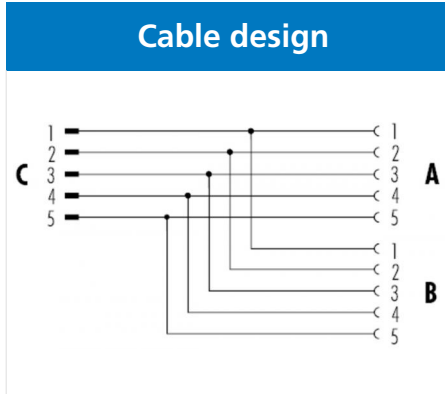
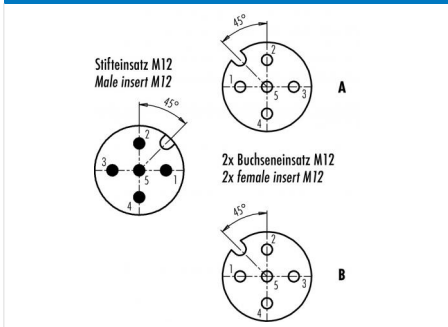


Product description **M12-A double distributor box, Contacts: 5, unshielded, pluggable, IP68, UL listed, M12x1.0**

Area **M12-A series 765**
 Order number **79 5210 00 05**



Contact arrangement (Plug-in side)



You can find the assembly instructions on the next page.

Technical data

General values

Connector design	double distributor box
Connector locking system	screw
Termination	pluggable
Upper limit temperature	85 °C
Lower limit temperature	-25 °C
Customs tariff number	85369010

Electrical values

Rated current (40 °C)	4 A
Rated voltage	60 V
Rated impulse voltage	1500 V
Pollution degree	3
Overvoltage category	II
Insulating material group	II
EMC compliance	unshielded
Degree of protection	IP68
Mechanical operation	> 100 Mating cycles

Material

Contact material	Pin: CuZn (brass) / Socket: CuSn (bronze)
Contact plating	Au (gold)
Contact body material	PUR
Housing material	PUR
Locking material	Zinc die-cast nickel-plated
REACH SVHC	CAS 7439-92-1 (Lead)

authorization/approvals

Approval 1	UL listed
------------	-----------

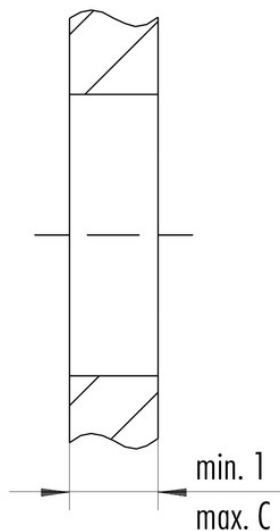
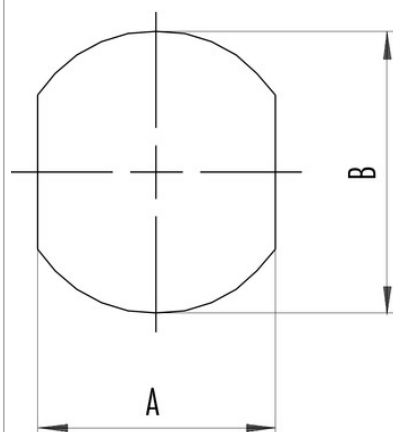


Product description M12-A double distributor box, Contacts: 5, unshielded, pluggable, IP68, UL listed, M12x1.0

Area M12-A series 765
Order number 79 5210 00 05

Assembly instructions / Panel cut-out

Schaltschrankdurchführung mit Durchgangsbohrung



	A	B	C
M8	13,5	16,1	12
M12	18,2	20,1	9

Product description	M12-A double distributor box, Contacts: 5, unshielded, pluggable, IP68, UL listed, M12x1.0
Area	M12-A series 765
Order number	79 5210 00 05

Security notices

The connectors have been developed for applications in plant engineering, control and electrical equipment construction. The user is responsible for checking whether the connectors can also be used in other areas of application.

Plug connectors with enclosure protection IP 67 and IP 68 are not suitable for use under water. When used outdoors, the plug connectors must be protected separately against corrosion. For further information on the IP protection classes, please refer to the "Technical Information" download centre. To lock the cable connector with the device connector, the threaded ring is tightened "hand-tight" (approx. 60 cNm).