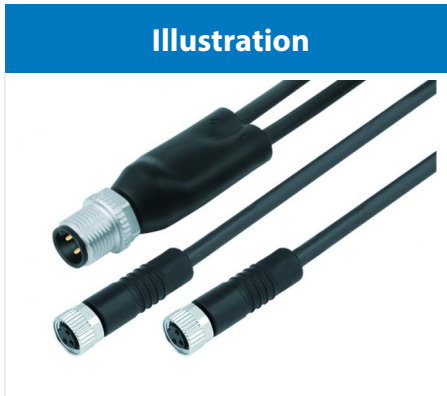
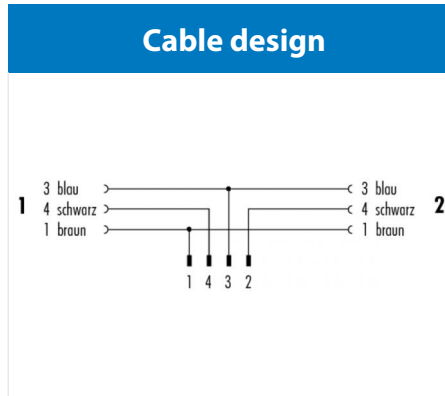


Product description **M12-A connecting cord, Contacts: 4/3, not shielded, moulded on cable, IP67, PUR black, 4 x 0.25 mm²**

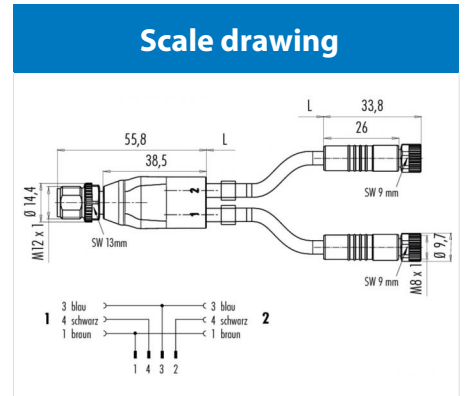
Area **M12-A series 765**
Order number **79 5204 10 04**



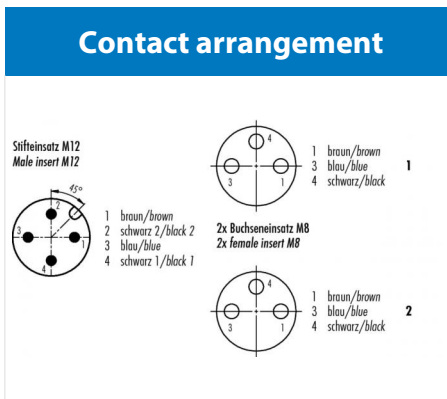
Illustration



Cable design



Scale drawing



Contact arrangement

Technical data

General values

Connector design	connecting cord
Connector locking system	screw
Termination	moulded on cable
Wire gauge (mm)	0.34 mm ²
Wire gauge (AWG)	22
Upper limit temperature	85 °C
Lower limit temperature	- 25 °C
Customs tariff number	85444290

Cable data

Cable length	1 m
Sheath material	PUR
Single-lead insulation	PVC
Single-lead structure	32 x 0,1 mm
Cable diameter	4.5 mm
Conductor resistance	80Ω/Km
Temperature range, moving cable, °C from	- 5 °C
Temperature range, moving cable, °C to	80 °C
Temperature range, fixed cable, °C from	-25 °C
Temperature range, fixed cable, °C to	80 °C

Electrical values

Rated current (40 °C)	4 A
Rated voltage	30 V
Rated impulse voltage	800 V
Pollution degree	3
Overvoltage category	II
Insulating material group	II
EMC compliance	not shielded
Degree of protection	IP67
Mechanical operation	> 100 Mating cycles

Material

Contact material	Pin: CuZn (brass) / Socket: CuSn (bronze)
Contact plating	Au (gold)
Contact body material	PUR
Housing material	PUR

Product description	M12-A connecting cord, Contacts: 4/3, not shielded, moulded on cable, IP67, PUR black, 4 x 0.25 mm²
Area	M12-A series 765
Order number	79 5204 10 04

Security notices

The connectors are designed for use in plant, control system and electrical equipment. The end user is responsible for checking whether the connectors are suitable for use in other applications.

Connectors with degree of protection IP 67 and IP 68 are not suitable for use under water. When used outdoors, the connectors must be separately protected against corrosion. For further information about IP degrees of protection refer to 'Technical support' in the Download Centre.

To lock the cable connector to the equipment connector, the threaded ring is tightened until it is 'finger-tight' (approx. 50 cNm).