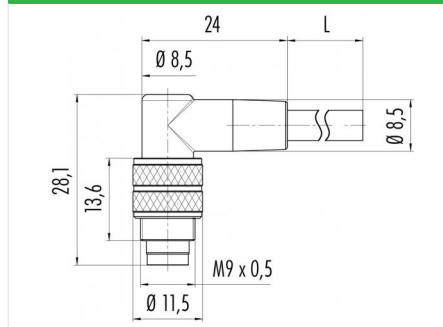


Product description **M9 IP67 male angled connector, Contacts: 3, unshielded, moulded on cable, IP67, PUR black, 3 x 0.25 mm<sup>2</sup>**  
 Area **M9 IP67 series 702**  
 Order number **79 1451 272 03**

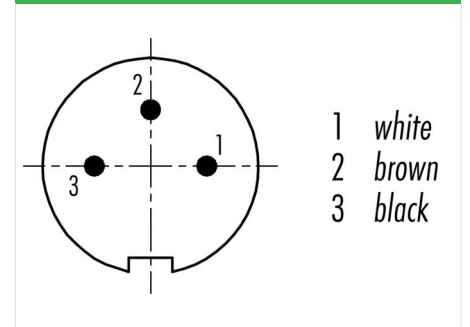
### Illustration



### Scale drawing



### Contact arrangement (Plug-in side)



## Technical data

### General values

Connector design	male angled connector
Connector locking system	screw
Termination	moulded on cable
Wire gauge (mm)	0.25 mm <sup>2</sup>
Wire gauge (AWG)	AWG 24
Upper limit temperature	70 °C
Lower limit temperature	-25 °C
Customs tariff number	85444290

### Electrical values

Rated current (40 °C)	4 A
Rated voltage	125 V
Rated impulse voltage	1500 V
Pollution degree	1
Overvoltage category	II
Insulating material group	III
Insulation resistance	≥ 10 <sup>10</sup> Ω
EMC compliance	unshielded
Degree of protection	IP67
Mechanical operation	> 500 Mating cycles

### Cable data

Cable length	2 m
Sheath material	PUR
Single-lead insulation	PVC
Halogen free	No
Single-lead structure	32x0,1 mm
Cable diameter	4.5 mm
Cable color	black
Temperature range, moving cable, °C from	-55 °C
Temperature range, moving cable, °C to	+70 °C
Temperature range, fixed cable, °C from	-25 °C
Temperature range, fixed cable, °C to	+70 °C

### Material

Contact material	CuZn (brass)
Contact plating	Au (gold)
Contact body material	PBT (UL94 V-0)
Housing material	PUR
Locking material	CuZn (Brass nickel plated)
REACH SVHC	CAS 7439-92-1 (Lead)

Product description	<b>M9 IP67 male angled connector, Contacts: 3, unshielded, moulded on cable, IP67, PUR black, 3 x 0.25 mm<sup>2</sup></b>
Area	<b>M9 IP67 series 702</b>
Order number	<b>79 1451 272 03</b>

## Security notices

The connector must not be plugged or unplugged under load. Non-observance and improper use can result in personal injury.

The connectors have been developed for applications in plant engineering, control and electrical equipment construction. The user is responsible for checking whether the connectors can also be used in other areas of application.

Plug connectors with enclosure protection IP 67 and IP 68 are not suitable for use under water. When used outdoors, the plug connectors must be protected separately against corrosion. For further information on the IP protection classes, please refer to the "Technical Information" download centre. To lock the cable connector with the device connector, the threaded ring is tightened "hand-tight" (approx. 50 cNm).