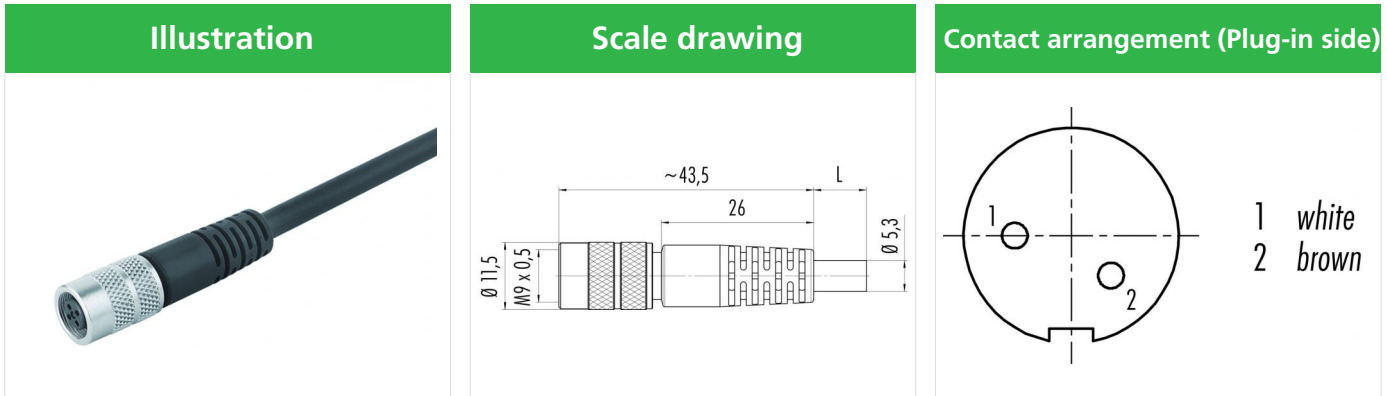


Product description	M9 IP67 female cable connector, Contacts: 2, shielded, moulded on cable, IP67, PUR black, 5 x 0.25 mm ²
Area	M9 IP67 series 702
Order number	79 1402 12 02



Technical data

General values

Connector design	female cable connector
Connector locking system	screw
Termination	moulded on cable
Wire gauge (mm)	0.25 mm ²
Wire gauge (AWG)	AWG 24
Upper limit temperature	70 °C
Lower limit temperature	-25 °C
Customs tariff number	85444290

Cable data

Cable length	2 m
Sheath material	PUR
Single-lead insulation	PVC
Halogen free	No
Single-lead structure	14 x 0,15 mm mm
Cable diameter	5.3 mm
Cable color	black
Conductor resistance	75
Temperature range, moving cable, °C from	-15 °C
Temperature range, moving cable, °C to	+80 °C
Temperature range, fixed cable, °C from	-30 °C
Temperature range, fixed cable, °C to	+80 °C
Bending radius, fixed cable	≥ 7.5 x Ø
Bending radius, moving cable	≥ 15 x Ø

Electrical values

Rated current (40 °C)	4 A
Rated voltage	125 V
Rated impulse voltage	1500 V
Pollution degree	1
Overvoltage category	II
Insulating material group	III
Insulation resistance	≥ 10 ¹⁰ Ω
EMC compliance	shielded
Degree of protection	IP67
Mechanical operation	> 500 Mating cycles

Material

Contact material	CuSn (bronze)
Contact plating	Au (gold)
Contact body material	PBT (UL94 V-0)
Housing material	PUR
Locking material	CuZn (Brass nickel plated)
REACH SVHC	CAS 7439-92-1 (Lead)

Product description	M9 IP67 female cable connector, Contacts: 2, shielded, moulded on cable, IP67, PUR black, 5 x 0.25 mm²
Area	M9 IP67 series 702
Order number	79 1402 12 02

Security notices

The connector must not be plugged or unplugged under load. Non-observance and improper use can result in personal injury.

The connectors have been developed for applications in plant engineering, control and electrical equipment construction. The user is responsible for checking whether the connectors can also be used in other areas of application.

To lock the cable connector with the device connector, the threaded ring is tightened "hand-tight" (approx. 50 cNm).