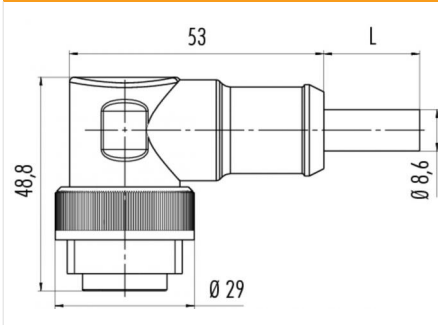


Product description **RD24 male angled connector, Contacts: 3+PE, shielding is not possible, moulded on cable, IP67, PVC black, 4 x 1.50 mm<sup>2</sup>**  
 Area **RD24 series 692**  
 Order number **79 0233 20 04**

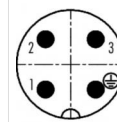
### Illustration



### Scale drawing



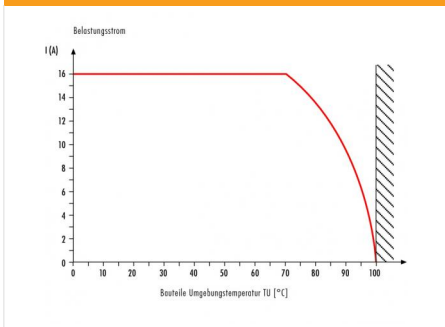
### Contact arrangement



	X	Y
1	-3,18	-3,18
2	-3,18	3,18
3	3,18	3,18
PE	3,18	-3,18

1  
2  
3  
⊕ grün/gelb

### Derating curve



**You can find the component part drawing and assembly instructions on the next page.**

## Technical data

### General values

Connector design male angled connector  
 Connector locking system screw  
 Termination moulded on cable  
 Wire gauge (mm) 1.50 mm<sup>2</sup>  
 Wire gauge (AWG) 16  
 Upper limit temperature 80 °C  
 Lower limit temperature - 25 °C  
 Customs tariff number 85444290  
 Packaging Unit 25

### Electrical values

Rated current (40 °C) 16 A  
 Rated voltage 400 V  
 Rated impulse voltage 6000 V  
 Pollution degree 3  
 Overvoltage category III  
 Insulating material group III  
 Insulation resistance  $\geq 10^{10} \Omega$   
 EMC compliance shielding is not possible  
 Degree of protection IP67  
 Mechanical operation > 500 Mating cycles

### Cable data

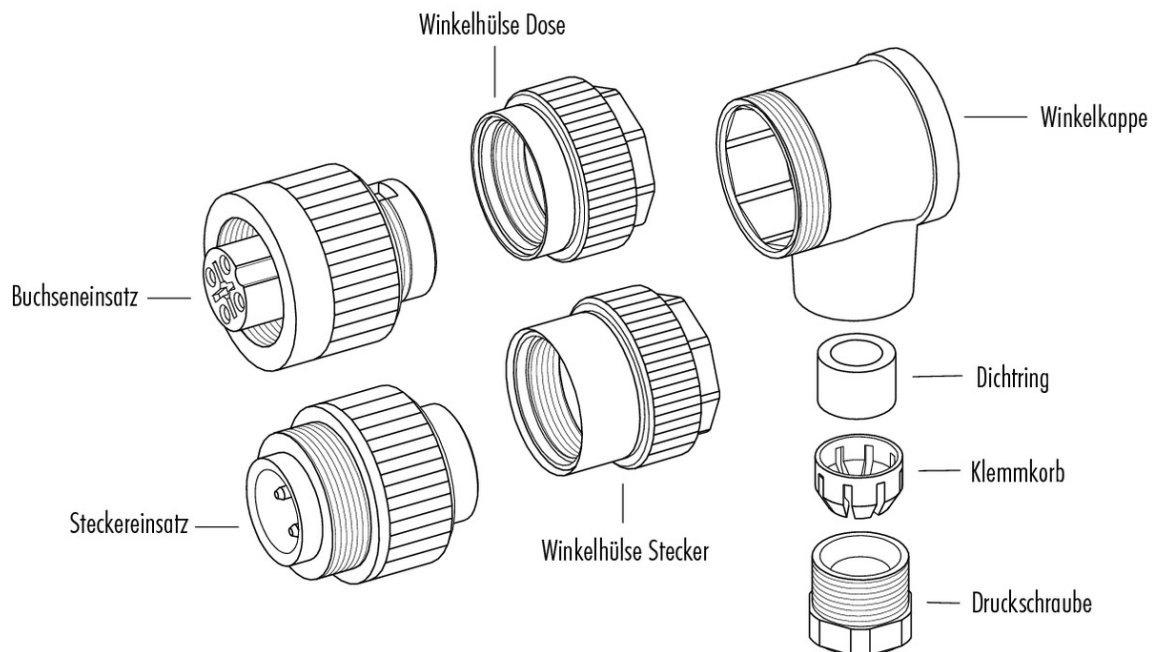
Cable length 2 m  
 Sheath material PVC  
 Single-lead insulation PVC sw 1, sw 2, sw 3, grün/gelb  
 Single-lead structure 28x0,25 mm mm  
 Conductor resistance -  
 Bending radius, fixed cable 120 mm  
 Bending radius, moving cable 60 mm

### Material

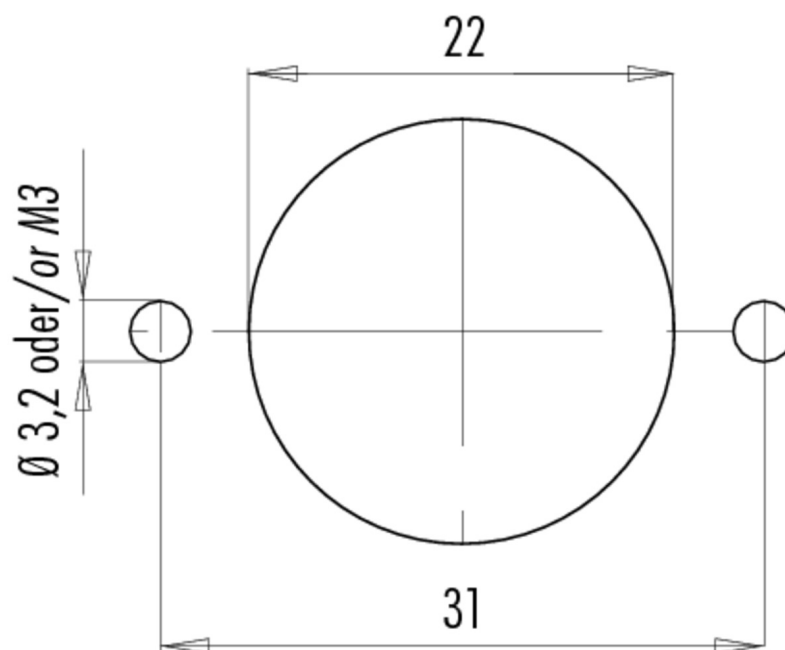
Contact material CuZn (brass)  
 Contact plating Ag (silver)  
 Contact body material PA12

Product description	<b>RD24 male angled connector, Contacts: 3+PE, shielding is not possible, moulded on cable, IP67, PVC black, 4 x 1.50 mm<sup>2</sup></b>
Area	<b>RD24 series 692</b>
Order number	<b>79 0233 20 04</b>

### Component part drawing



### Assembly instructions / Panel cut-out



Product description	<b>RD24 male angled connector, Contacts: 3+PE, shielding is not possible, moulded on cable, IP67, PVC black, 4 x 1.50 mm<sup>2</sup></b>
Area	<b>RD24 series 692</b>
Order number	<b>79 0233 20 04</b>

## Security notices

The connector must not be connected or separated under load. Non-observance and incorrect use can result in personal injury.

The connectors are designed for use in plant, control system and electrical equipment. The end user is responsible for checking whether the connectors are suitable for use in other applications.

Connectors used in electrical circuits containing hazardous life parts must only be assembled and used by or under the supervision of persons with the requisite electrotechnical training, taking the applicable regulations and standards into account.

Connectors with degree of protection IP 67 and IP 68 are not suitable for use under water. When used outdoors, the connectors must be separately protected against corrosion. For further information about IP degrees of protection refer to 'Technical support' in the Download Centre.

To lock the cable connector to the equipment connector, the threaded ring is tightened until it is 'finger-tight' (approx. 50 cNm).