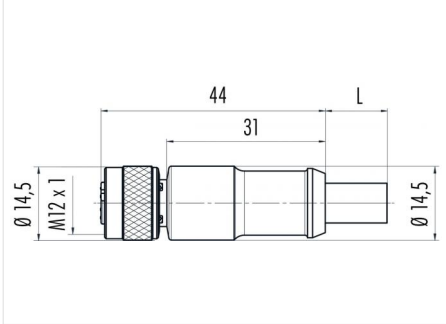


Product description	M12-B female cable connector, Contacts: 2, shielded, moulded on cable, IP67, UL listed, PUR, flame retardant purple, 2 x 0.25 mm <sup>2</sup>
Area	M12-B series 766
Order number	77 4330 0000 60702-0200

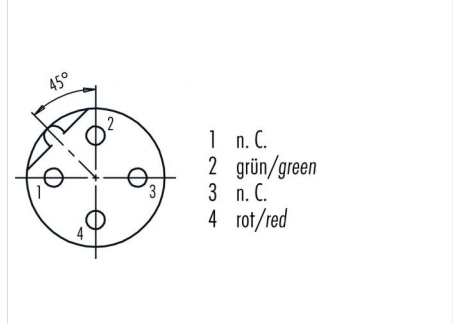
**Illustration**



**Scale drawing**



**Contact arrangement (Plug-in side)**



**Technical data**

**General values**

Connector design	female cable connector
Connector locking system	screw
Termination	moulded on cable
Wire gauge (mm)	0.25 mm <sup>2</sup>
Wire gauge (AWG)	AWG 24
Upper limit temperature	80 °C
Lower limit temperature	-25 °C
Customs tariff number	85444290

**Cable data**

Cable length	2 m
Sheath material	PUR, flame retardant
Single-lead insulation	PE-Schaum
Halogen free	Yes
Single-lead structure	19x0,127 mm
Cable diameter	7.8 mm
Cable color	purple
Temperature range, moving cable, °C from	-20°C
Temperature range, moving cable, °C to	+60°C
Temperature range, fixed cable, °C from	-40°C
Temperature range, fixed cable, °C to	+70°C
Bending radius, fixed cable	7.5 x Ø
Bending radius, moving cable	≥ 10 x Ø

**Electrical values**

Rated current (40 °C)	4 A
Rated voltage	60 V
Rated impulse voltage	1500 V
Pollution degree	3
Overvoltage category	II
Insulating material group	II
Insulation resistance	> 10 <sup>8</sup> Ω
EMC compliance	shielded
Degree of protection	IP67
Mechanical operation	> 100 Mating cycles

**Material**

Contact material	CuSn (bronze)
Contact plating	Au (gold)
Contact body material	PUR
Housing material	PUR
Locking material	Zinc die-cast nickel-plated
REACH SVHC	CAS 7439-92-1 (Lead)

**authorization/approvals**

Approval 1	UL listed
------------	-----------

Product description	M12-B female cable connector, Contacts: 2, shielded, moulded on cable, IP67, UL listed, PUR, flame retardant purple, 2 x 0.25 mm <sup>2</sup>
Area	M12-B series 766
Order number	77 4330 0000 60702-0200

## Security notices

The connector must not be plugged or unplugged under load. Non-observance and improper use can result in personal injury.

The connectors have been developed for applications in plant engineering, control and electrical equipment construction. The user is responsible for checking whether the connectors can also be used in other areas of application.

Plug connectors with enclosure protection IP 67 and IP 68 are not suitable for use under water. When used outdoors, the plug connectors must be protected separately against corrosion. For further information on the IP protection classes, please refer to the "Technical Information" download centre. To lock the cable connector with the device connector, the threaded ring is tightened "hand-tight" (approx. 50 cNm).