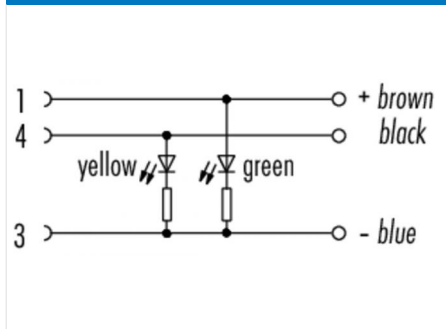


Product description	M12-A male angled connector, Contacts: 3, unshielded, moulded on cable, IP69K, UL listed, PUR black, 3 x 0.34 mm <sup>2</sup> , with LED PNP closer
Area	M12-A series 763
Order number	77 3627 0000 50003-0200

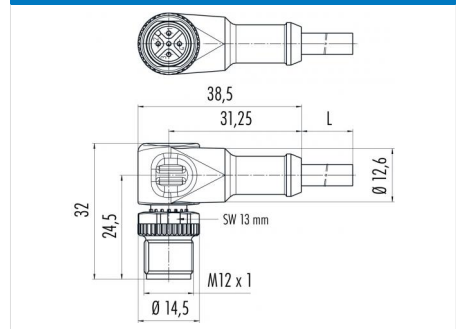
**Illustration**



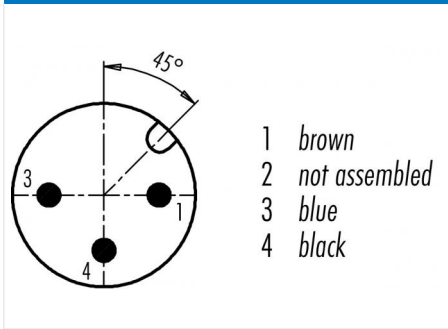
**Cable design**



**Scale drawing**



**Contact arrangement (Plug-in side)**



**Technical data**

**General values**

Connector design	male angled connector
Connector locking system	screw
Termination	moulded on cable
Wire gauge (mm)	0.34 mm <sup>2</sup>
Wire gauge (AWG)	AWG 22
Upper limit temperature	90 °C
Lower limit temperature	-25 °C
Customs tariff number	85444290

**Electrical values**

Rated current (40 °C)	4 A
Rated voltage	10 - 30 V
Rated impulse voltage	500 V
Pollution degree	3
Overvoltage category	II
Insulating material group	II
Insulation resistance	≥ 10 <sup>10</sup> Ω
EMC compliance	unshielded
Degree of protection	IP69K
Mechanical operation	> 100 Mating cycles

**Material**

Contact material	CuZn (brass)
Contact plating	Au (gold)
Contact body material	PUR
Housing material	PUR
Locking material	Zinc die-cast nickel-plated

**authorization/approvals**

Approval 1	UL listed
------------	-----------



Product description	M12-A male angled connector, Contacts: 3, unshielded, moulded on cable, IP69K, UL listed, PUR black, 3 x 0.34 mm <sup>2</sup> , with LED PNP closer
Area	M12-A series 763
Order number	77 3627 0000 50003-0200

## Technical data

### Cable data

Cable length	2 m
Sheath material	PUR
Single-lead insulation	PP9Y halogen-free
Halogen free	Yes
Single-lead structure	43x0,1 mm
Cable diameter	4.3 mm
Cable color	black
Conductor resistance	60
Temperature range, moving cable, °C from	-25°C
Temperature range, moving cable, °C to	+80°C
Temperature range, fixed cable, °C from	-50°C
Temperature range, fixed cable, °C to	+80°C
Bending radius, fixed cable	≥ 5 x Ø
Bending radius, moving cable	≥ 10 x Ø
UL style 1	AWM20549

Product description	M12-A male angled connector, Contacts: 3, unshielded, moulded on cable, IP69K, UL listed, PUR black, 3 x 0.34 mm <sup>2</sup> , with LED PNP closer
Area	M12-A series 763
Order number	77 3627 0000 50003-0200

## Security notices

The connectors have been developed for applications in plant engineering, control and electrical equipment construction. The user is responsible for checking whether the connectors can also be used in other areas of application.

Plug connectors with enclosure protection IP 67 and IP 68 are not suitable for use under water. When used outdoors, the plug connectors must be protected separately against corrosion. For further information on the IP protection classes, please refer to the "Technical Information" download centre. To lock the cable connector with the device connector, the threaded ring is tightened "hand-tight" (approx. 60 cNm).