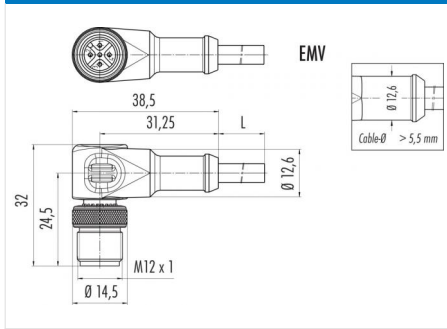


Product description	M12-A male angled connector, Contacts: 3, shielded, moulded on cable, IP67, UL listed, PVC grey, 3 x 0.34 mm ²
Area	M12-A series 763
Order number	77 3527 0000 20703-0200

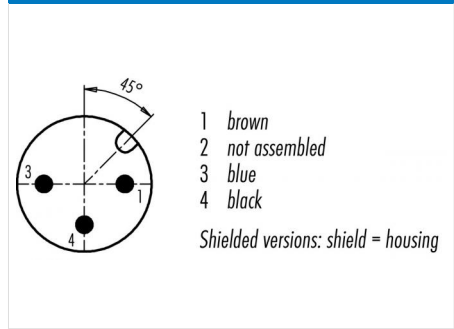
Illustration



Scale drawing



Contact arrangement (Plug-in side)



Technical data

General values

Notice	Please note that, due to the change from the old to the new order number, there may be deviations in the technical specifications. For questions about product details, please use the 'Contact Customer Service' form on the right.
Connector design	male angled connector
Connector locking system	screw
Termination	moulded on cable
Wire gauge (mm)	0.34 mm ²
Wire gauge (AWG)	AWG 22
Upper limit temperature	90 °C
Lower limit temperature	-25 °C
Customs tariff number	85444290

Cable data

Cable length	2 m
Sheath material	PVC
Single-lead insulation	PVC
Halogen free	No
Single-lead structure	42x0.1 mm
Cable diameter	5.0 mm
Cable color	grey
Conductor resistance	57
Temperature range, moving cable, °C from	-5°C
Temperature range, moving cable, °C to	+105°C
Temperature range, fixed cable, °C from	-40°C
Temperature range, fixed cable, °C to	+105°C
Bending radius, fixed cable	≥ 5 x Ø
Bending radius, moving cable	≥ 10 x Ø

Electrical values

Rated current (40 °C)	4 A
Rated voltage	250 V
Rated impulse voltage	2500 V
Pollution degree	3
Overvoltage category	II
Insulating material group	II
Insulation resistance	≥ 10 ¹⁰ Ω
EMC compliance	shielded
Degree of protection	IP67
Mechanical operation	> 100 Mating cycles

Material

Contact material	CuZn (brass)
Contact plating	Au (gold)
Contact body material	PUR
Housing material	PUR
Locking material	CuZn (Brass nickel plated)
REACH SVHC	CAS 7439-92-1 (Lead)

authorization/approvals

Approval 1	UL listed
------------	-----------

Product description	M12-A male angled connector, Contacts: 3, shielded, moulded on cable, IP67, UL listed, PVC grey, 3 x 0.34 mm ²
Area	M12-A series 763
Order number	77 3527 0000 20703-0200

Security notices

The connector must not be plugged or unplugged under load. Non-observance and improper use can result in personal injury.

The connectors have been developed for applications in plant engineering, control and electrical equipment construction. The user is responsible for checking whether the connectors can also be used in other areas of application.

Plug connectors with enclosure protection IP 67 and IP 68 are not suitable for use under water. When used outdoors, the plug connectors must be protected separately against corrosion. For further information on the IP protection classes, please refer to the "Technical Information" download centre. To lock the cable connector with the device connector, the threaded ring is tightened "hand-tight" (approx. 60 cNm).