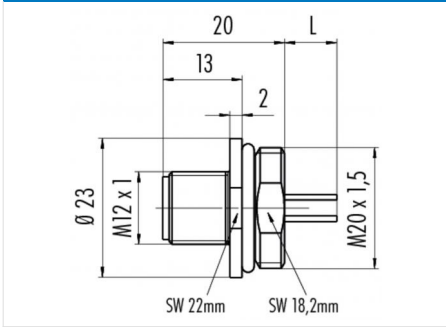


Product description	<b>M12-A male panel mount connector, Contacts: 4, not shielded, single wires, IP68, UL, M20x1.5 plastic</b>
Area	<b>M12-A series 713</b>
Order number	<b>76 4631 0011 00004-0200</b>

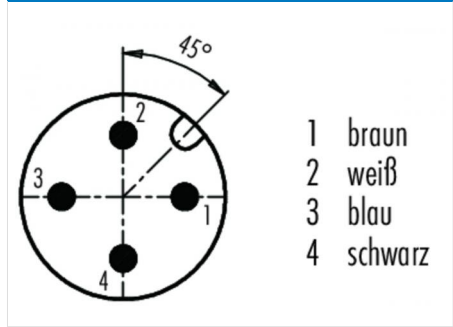
**Illustration**



**Scale drawing**



**Contact arrangement**



You can find the assembly instructions on the next page.

**Technical data**

**General values**

Connector design	male panel mount connector
Connector locking system	screw
Termination	single wires
Wire gauge (mm)	0.25 mm <sup>2</sup>
Wire gauge (AWG)	24
Upper limit temperature	85 °C
Lower limit temperature	- 40 °C
Customs tariff number	85369120
Packaging Unit	1

**Electrical values**

Rated current (40 °C)	4 A (3 A UL)
Rated voltage	250 V
Rated impulse voltage	2500 V
Pollution degree	3
Overvoltage category	II
Insulating material group	III
Insulation resistance	> 10 <sup>8</sup> Ω
EMC compliance	not shielded
Degree of protection	IP68
Mechanical operation	> 100 Mating cycles

**Cable data**

Approval 1	UL
------------	----

**Material**

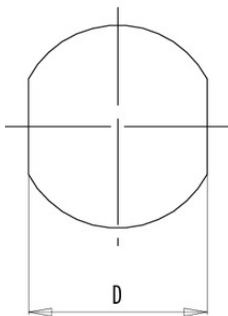
Contact material	CuZn (brass)
Contact plating	Au (gold)
Contact body material	PA
Housing material	PA

Product description **M12-A male panel mount connector, Contacts: 4, not shielded, single wires, IP68, UL, M20x1.5 plastic**

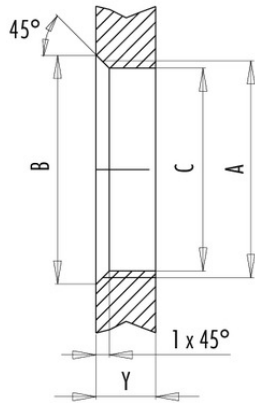
Area **M12-A series 713**  
 Order number **76 4631 0011 00004-0200**

Assembly instructions / Panel cut-out

Mit Fläche als Verdrehschutz



Mit Durchgangsbohrung



Einbaurichtung:  
O-Ring sitzt an Fase.

Gewinde	Maße			Anzugsdrehmoment	
	B (mm)	C (mm)	D (mm)	Metallgehäuse/ Positioniermutter	Kunststoffgehäuse/ Positioniermutter
PG 9	16,2	15,3	13,5	1,25 Nm	1,25 Nm
PG 11	20,2	18,7	17,0	2 Nm	–
PG 13,5	21,5	20,5	–	2 Nm	–
M12 x 0,5	–	12,1	–	–	0,4 Nm
M12 x 1	–	12,2	–	1 Nm	–
M14 x 1	15,2	14,2	–	1,25 Nm	–
M16 x 1,5	17,0	16,1	13,5	1,25 Nm	1,25 Nm
M20 x 1,5	21,0	20,1	–	2 Nm	1,25 Nm

Ausführung	Gehäusewandstärke Y (mm)	
	min (mm)	max (mm)
Hinterwandmontage	2	3,5
Von vorne verschraubbar	2	4,5
Positionierbar <sup>1)</sup>	2	3,5
Schraubklemmanschluss	2	3,5
Gewinde M12 x 1	2	3,0
Gewinde M14 x 1 <sup>2)</sup>	<sup>3)</sup> 1,5/ <sup>4)</sup> 2	6,5

Hinweise/Notes

- <sup>1)</sup> Keine Fase anbringen
- <sup>2)</sup> Wandstärken:  
bis 1,5 mm Kontermutter  
01-5385 verwenden,  
>1,5 mm Gewinde schneiden
- <sup>3)</sup> Mutter
- <sup>4)</sup> Gewinde in Gehäusewand

Product description	<b>M12-A male panel mount connector, Contacts: 4, not shielded, single wires, IP68, UL, M20x1.5 plastic</b>
Area	<b>M12-A series 713</b>
Order number	<b>76 4631 0011 00004-0200</b>

## Security notices

The connector must not be connected or separated under load. Non-observance and incorrect use can result in personal injury.

The connectors are designed for use in plant, control system and electrical equipment. The end user is responsible for checking whether the connectors are suitable for use in other applications.

Connectors with degree of protection IP 67 and IP 68 are not suitable for use under water. When used outdoors, the connectors must be separately protected against corrosion. For further information about IP degrees of protection refer to 'Technical support' in the Download Centre.