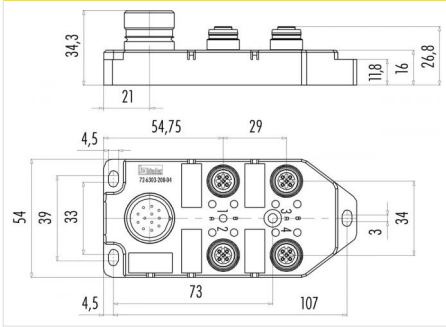


Product description	M12-A distributor box, Contacts: 5, pluggable M23, IP67
Area	M12-A series 772
Order number	72 6313 200 04

Illustration



Scale drawing



Technical data

General values

Connector design	distributor box
Connector locking system	M12x1 Push-Pull
Termination	pluggable M23
Wire gauge (mm)	E/A's 0.34 / supply 3x0.75 mm <sup>2</sup>
Wire gauge (AWG)	E/A's 22 / supply 3x20
Upper limit temperature	80 °C
Lower limit temperature	-25 °C
Customs tariff number	85369010

Electrical values

Rated current (40 °C)	2 A (per contact) / 9 A max.
Rated voltage	10 - 30 V DC V
Rated impulse voltage	500 V
Pollution degree	3
Insulation resistance	≥ 10 <sup>10</sup> Ω
Degree of protection	IP67

Material

Contact material	CuZn (brass)
Contact plating	Au (gold)
Contact body material	PBT (UL94 V-0)
REACH SVHC	KS (No pollutants) CAS 7439-92-1 (Lead)

Product description	M12-A distributor box, Contacts: 5, pluggable M23, IP67
Area	M12-A series 772
Order number	72 6313 200 04

## Security notices

The connectors have been developed for applications in plant engineering, control and electrical equipment construction. The user is responsible for checking whether the connectors can also be used in other areas of application.

Plug connectors with enclosure protection IP 67 and IP 68 are not suitable for use under water. When used outdoors, the plug connectors must be protected separately against corrosion. For further information on the IP protection classes, please refer to the "Technical Information" download centre.