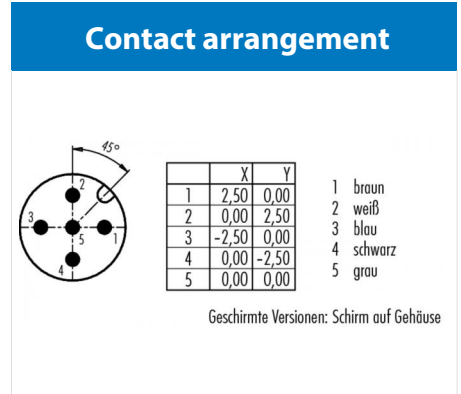
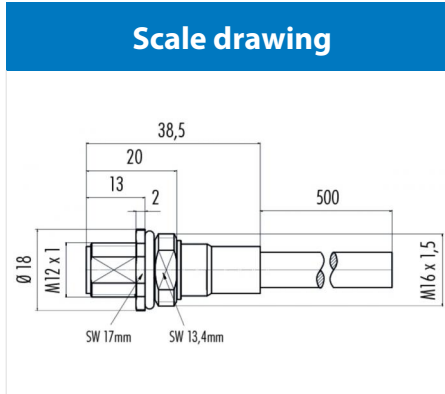


Product description **M12-A male panel mount connector, Contacts: 5, shielded, cable, IP68, M16x1.5**

Area **M12-A series 713**  
 Order number **70 3441 785 05**



You can find the assembly instructions on the next page.

## Technical data

### General values

Connector design male panel mount connector  
 Connector locking system screw  
 Termination cable  
 Upper limit temperature 70 °C  
 Lower limit temperature -5 °C  
 Customs tariff number 85444290  
 Packaging Unit 50

### Cable data

Cable length 0,5 m  
 Sheath material PUR  
 Cable diameter 5.3 mm

### Electrical values

Rated current (40 °C) 4 A  
 Rated voltage 60 V  
 Rated impulse voltage 1500 V  
 Pollution degree 3  
 Overvoltage category II  
 Insulating material group III  
 Insulation resistance > 10<sup>8</sup> Ω  
 EMC compliance shielded  
 Degree of protection IP68  
 Mechanical operation > 100 Mating cycles

### Material

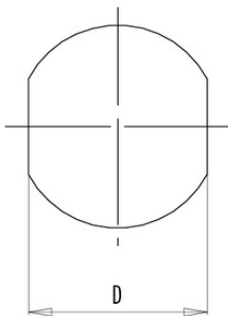
Contact material CuZn (brass)  
 Contact plating Au (gold)  
 Contact body material PA  
 Housing material CuZn (Brass nickel plated)

Product description **M12-A male panel mount connector, Contacts: 5, shielded, cable, IP68, M16x1.5**

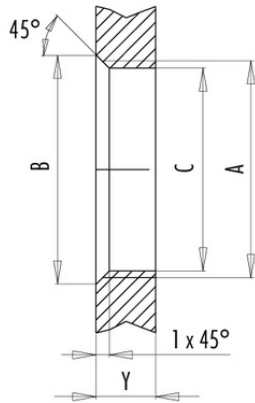
Area **M12-A series 713**  
Order number **70 3441 785 05**

Assembly instructions / Panel cut-out

Mit Fläche als Verdrehschutz



Mit Durchgangsbohrung



Einbaurichtung:  
O-Ring sitzt an Fase.

Gewinde	Maße			Anzugsdrehmoment	
	B (mm)	C (mm)	D (mm)	Metallgehäuse/ Positioniermutter	Kunststoffgehäuse/ Positioniermutter
PG 9	16,2	15,3	13,5	1,25 Nm	1,25 Nm
PG 11	20,2	18,7	17,0	2 Nm	–
PG 13,5	21,5	20,5	–	2 Nm	–
M12 x 0,5	–	12,1	–	–	0,4 Nm
M12 x 1	–	12,2	–	1 Nm	–
M14 x 1	15,2	14,2	–	1,25 Nm	–
M16 x 1,5	17,0	16,1	13,5	1,25 Nm	1,25 Nm
M20 x 1,5	21,0	20,1	–	2 Nm	1,25 Nm

Ausführung	Gehäusewandstärke Y (mm)	
	min (mm)	max (mm)
Hinterwandmontage	2	3,5
Von vorne verschraubbar	2	4,5
Positionierbar <sup>1)</sup>	2	3,5
Schraubklemmanschluss	2	3,5
Gewinde M12 x 1	2	3,0
Gewinde M14 x 1 <sup>2)</sup>	<sup>3)</sup> 1,5/ <sup>4)</sup> 2	6,5

Hinweise/Notes

- <sup>1)</sup> Keine Fase anbringen
- <sup>2)</sup> Wandstärken:  
bis 1,5 mm Kontermutter  
01-5385 verwenden,  
>1,5 mm Gewinde schneiden
- <sup>3)</sup> Mutter
- <sup>4)</sup> Gewinde in Gehäusewand

Product description	<b>M12-A male panel mount connector, Contacts: 5, shielded, cable, IP68, M16x1.5</b>
Area	<b>M12-A series 713</b>
Order number	<b>70 3441 785 05</b>

## Security notices

The connectors are designed for use in plant, control system and electrical equipment. The end user is responsible for checking whether the connectors are suitable for use in other applications. Connectors with degree of protection IP 67 and IP 68 are not suitable for use under water. When used outdoors, the connectors must be separately protected against corrosion. For further information about IP degrees of protection refer to 'Technical support' in the Download Centre.