

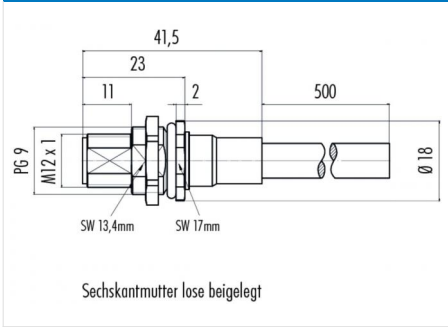
Product description **M12-A male panel mount connector, Contacts: 5, shielded, cable, IP68, PG9**

Area **M12-A series 713**
 Order number **70 3441 287 05**

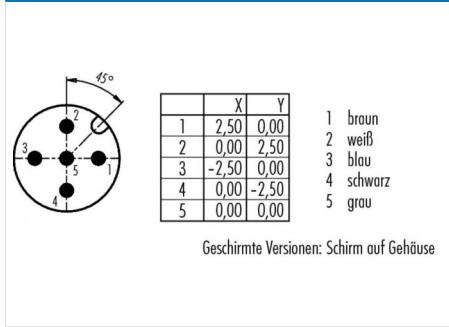
Illustration



Scale drawing



Contact arrangement



You can find the assembly instructions on the next page.

Technical data

General values

Connector design male panel mount connector
 Connector locking system screw
 Termination cable
 Upper limit temperature 70 °C
 Lower limit temperature -5 °C
 Customs tariff number 85444290

Cable data

Cable length 0,5 m
 Sheath material PUR
 Cable diameter 5.3 mm

Electrical values

Rated current (40 °C) 4 A
 Rated voltage 60 V
 Rated impulse voltage 1500 V
 Pollution degree 3
 Overvoltage category II
 Insulating material group III
 Insulation resistance > 10⁸ Ω
 EMC compliance shielded
 Degree of protection IP68
 Mechanical operation > 100 Mating cycles

Material

Contact material CuZn (brass)
 Contact plating Au (gold)
 Contact body material PA

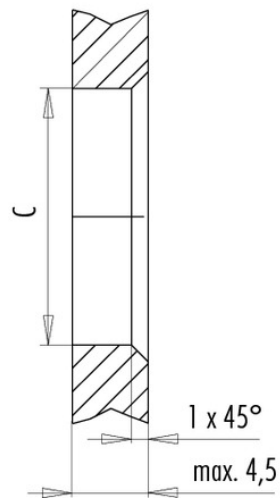
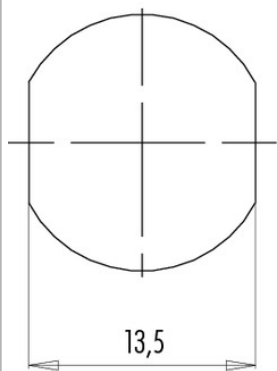
Product description **M12-A male panel mount connector, Contacts: 5, shielded, cable, IP68, PG9**

Area **M12-A series 713**
 Order number **70 3441 287 05**

Assembly instructions / Panel cut-out

Mit Fläche als Verdrehschutz
 With flats as anti-rotation device

Mit Durchgangsbohrung
 With bore hole



	C
PG 9	15,3
M16x1,5	16,1

Anzugsdrehmoment/Tightening torque

Metallgehäuse/Metal housing 6,25 Nm
 Kunststoffgehäuse/Plastic housing 3,75 Nm

Product description	M12-A male panel mount connector, Contacts: 5, shielded, cable, IP68, PG9
Area	M12-A series 713
Order number	70 3441 287 05

Security notices

The connector must not be connected or separated under load. Non-observance and incorrect use can result in personal injury.

The connectors are designed for use in plant, control system and electrical equipment. The end user is responsible for checking whether the connectors are suitable for use in other applications.

Connectors with degree of protection IP 67 and IP 68 are not suitable for use under water. When used outdoors, the connectors must be separately protected against corrosion. For further information about IP degrees of protection refer to 'Technical support' in the Download Centre.