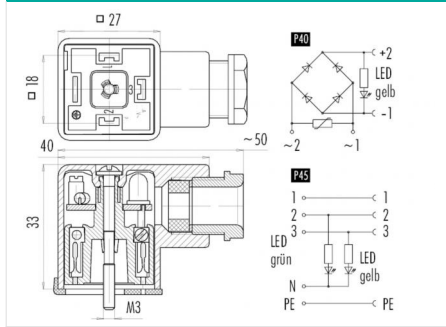


Product description	Size A female connector (panel mount), Contacts: 2+PE, 8.0 - 10.0 mm, screw clamp, IP40 without seal, VDE, ESTI+
Area	Size A series 210
Order number	43 1730 142 03

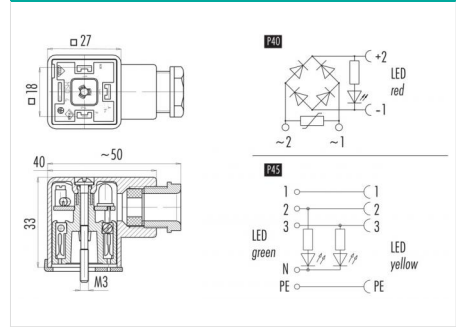
Illustration



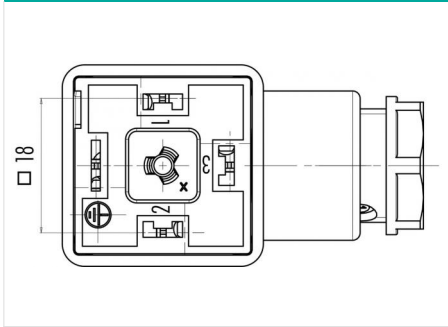
Cable design



Scale drawing



Contact arrangement (Plug-in side)



You can find the component part drawing on the next page.

Technical data

General values

Connector design	female connector (panel mount)
Connector locking system	central bolt
Termination	screw clamp
Wire gauge (mm)	min. 0.34 - max. 1.50 mm ²
Cable outlet	8.0 - 10.0 mm
Upper limit temperature	85 °C
Lower limit temperature	-25 °C
Customs tariff number	85369010

Electrical values

Rated current (40 °C)	2 A
Rated voltage	230 V
Rated impulse voltage	800 V
Pollution degree	3
Overvoltage category	III
Insulating material group	III
Degree of protection	IP40 without seal IP65 with seal, see accessories
Mechanical operation	> 50 Mating cycles
Wiring	P40

Material

Contact material	CuSn (bronze)
Contact plating	Ni (nickel)
Contact body material	PA (UL94 HB)
Housing material	PC
REACH SVHC	CAS 7439-92-1 (Lead)

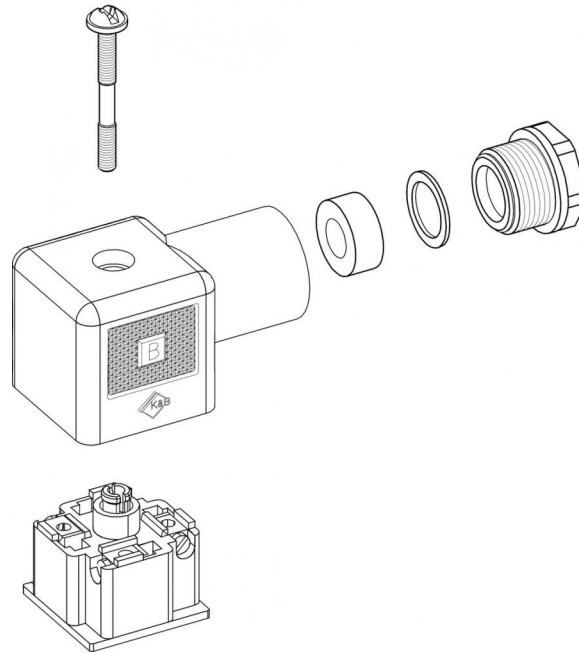
authorization/approvals

Approval 1	VDE
Approval 2	ESTI+



Product description	Size A female connector (panel mount), Contacts: 2+PE, 8.0 - 10.0 mm, screw clamp, IP40 without seal, VDE, ESTI+
Area	Size A series 210
Order number	43 1730 142 03

Component part drawing



Product description	Size A female connector (panel mount), Contacts: 2+PE, 8.0 - 10.0 mm, screw clamp, IP40 without seal, VDE, ESTI+
Area	Size A series 210
Order number	43 1730 142 03

Security notices

The connector must not be plugged or unplugged under load. Non-observance and improper use can result in personal injury.

The connectors have been developed for applications in plant engineering, control and electrical equipment construction. The user is responsible for checking whether the connectors can also be used in other areas of application.

Connectors which are used in circuits with voltages dangerous to the touch may only be installed and used by, or under the supervision of, persons with electrical engineering training, taking into account the applicable regulations and standards.

Plug connectors with enclosure protection IP 67 and IP 68 are not suitable for use under water. When used outdoors, the plug connectors must be protected separately against corrosion. For further information on the IP protection classes, please refer to the "Technical Information" download centre.