

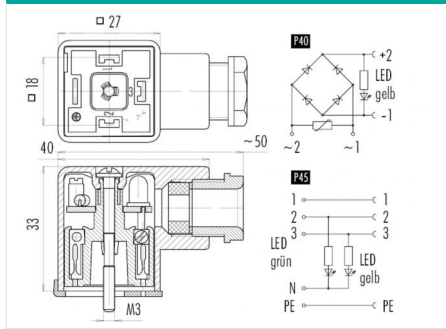
Product description **Size A female connector (panel mount), Contacts: 2+PE, 6.0 - 8.0 mm, screw clamp, IP40 without seal, VDE, ESTI+**

Area **Size A series 210**
Order number **43 1730 140 03**

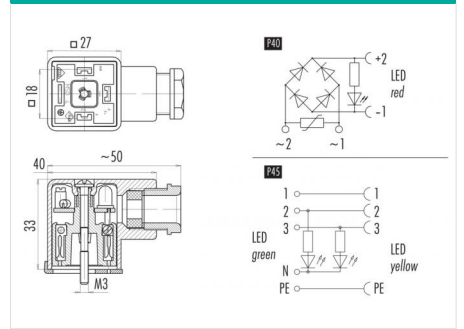
Illustration



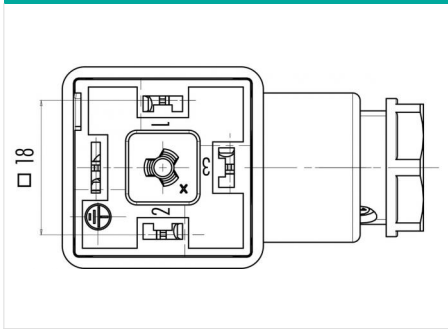
Cable design



Scale drawing



Contact arrangement (Plug-in side)



You can find the component part drawing on the next page.

Technical data

General values

| | |
|--------------------------|---------------------------------------|
| Connector design | female connector (panel mount) |
| Connector locking system | central bolt |
| Termination | screw clamp |
| Wire gauge (mm) | min. 0.34 - max. 1.50 mm ² |
| Cable outlet | 6.0 - 8.0 mm |
| Upper limit temperature | 85 °C |
| Lower limit temperature | -25 °C |
| Customs tariff number | 85369010 |

Electrical values

| | |
|---------------------------|--|
| Rated current (40 °C) | 2 A |
| Rated voltage | 230 V |
| Rated impulse voltage | 800 V |
| Pollution degree | 3 |
| Overvoltage category | III |
| Insulating material group | III |
| Degree of protection | IP40 without seal IP65 with seal, see accessories |
| Mechanical operation | > 50 Mating cycles |
| Wiring | P40 |

Material

| | |
|-----------------------|----------------------|
| Contact material | CuSn (bronze) |
| Contact plating | Ni (nickel) |
| Contact body material | PA (UL94 HB) |
| Housing material | PC |
| REACH SVHC | CAS 7439-92-1 (Lead) |

authorization/approvals

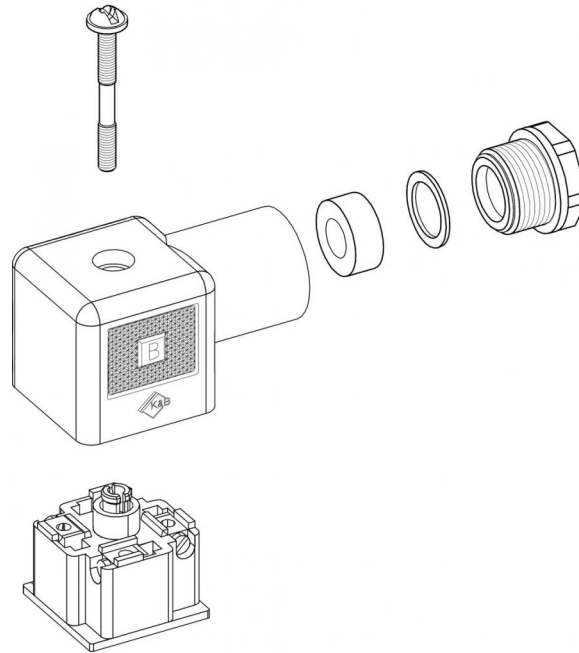
| | |
|------------|-------|
| Approval 1 | VDE |
| Approval 2 | ESTI+ |



Product description **Size A female connector (panel mount), Contacts: 2+PE, 6.0 - 8.0 mm, screw clamp, IP40 without seal, VDE, ESTI+**

Area **Size A series 210**
Order number **43 1730 140 03**

Component part drawing



| | |
|---------------------|--|
| Product description | Size A female connector (panel mount), Contacts: 2+PE, 6.0 - 8.0 mm, screw clamp, IP40 without seal, VDE, ESTI+ |
| Area | Size A series 210 |
| Order number | 43 1730 140 03 |

Security notices

The connector must not be plugged or unplugged under load. Non-observance and improper use can result in personal injury.

The connectors have been developed for applications in plant engineering, control and electrical equipment construction. The user is responsible for checking whether the connectors can also be used in other areas of application.

Connectors which are used in circuits with voltages dangerous to the touch may only be installed and used by, or under the supervision of, persons with electrical engineering training, taking into account the applicable regulations and standards.

Plug connectors with enclosure protection IP 67 and IP 68 are not suitable for use under water. When used outdoors, the plug connectors must be protected separately against corrosion. For further information on the IP protection classes, please refer to the "Technical Information" download centre.