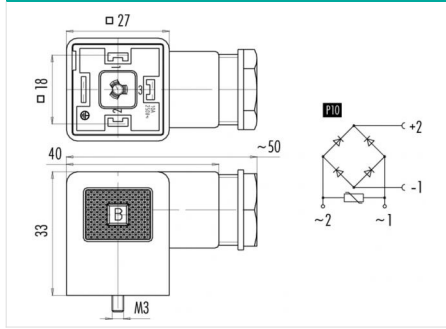


Product description	<b>Size A female connector (panel mount), Contacts: 2+PE, 8.0 - 10.0 mm, not shielded, screw clamp, IP40 without seal, VDE, ESTI+</b>
Area	<b>Size A series 210</b>
Order number	<b>43 1726 112 03</b>

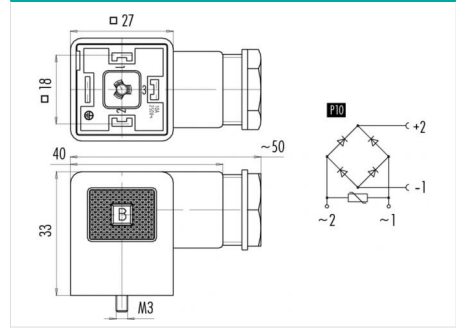
**Illustration**



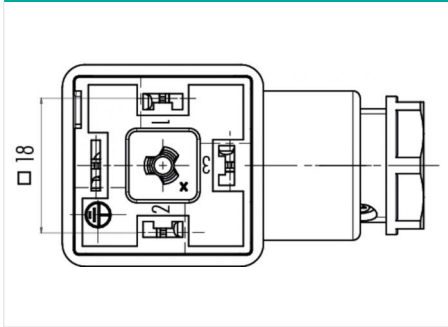
**Cable design**



**Scale drawing**



**Contact arrangement**



You can find the component part drawing on the next page.

**Technical data**

**General values**

Connector design	female connector (panel mount)
Connector locking system	central bolt
Termination	screw clamp
Wire gauge (mm)	min. 0.34 mm <sup>2</sup> - max. 1.50 mm <sup>2</sup>
Cable outlet	8.0 - 10.0 mm
Upper limit temperature	85 °C
Lower limit temperature	- 25 °C
Customs tariff number	85369010
Packaging Unit	200

**Cable data**

Approval 1	VDE
Approval 2	ESTI+

**Electrical values**

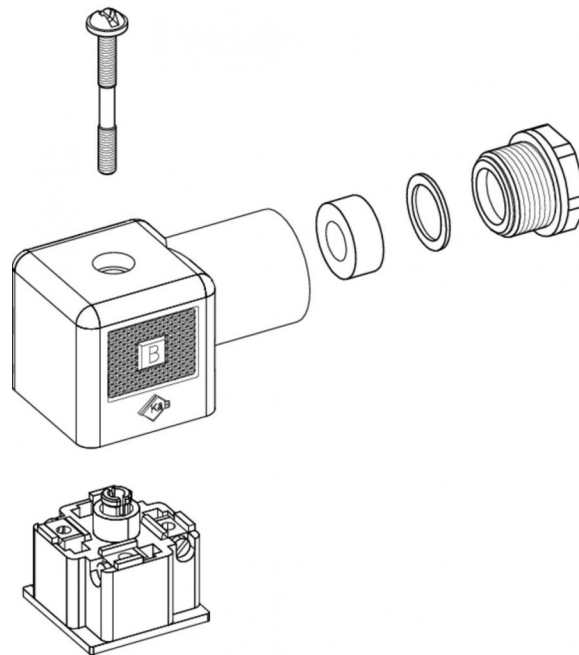
Rated current (40 °C)	2 A
Rated voltage	230 V
Rated impulse voltage	800 V
Pollution degree	3
Overvoltage category	III
Insulating material group	III
EMC compliance	not shielded
Degree of protection	IP40 without seal
	IP65 with seal, see accessories
Degree of protection 2	IP65 with seal, see accessories
Mechanical operation	> 50 Mating cycles
Wiring	P10

**Material**

Contact material	CuSn (bronze)
Contact plating	Ni (nickel)
Contact body material	PA (UL94 HB)
Housing material	PA

Product description	<b>Size A female connector (panel mount), Contacts: 2+PE, 8.0 - 10.0 mm, not shielded, screw clamp, IP40 without seal, VDE, ESTI+</b>
Area	<b>Size A series 210</b>
Order number	<b>43 1726 112 03</b>

Component part drawing



Product description	<b>Size A female connector (panel mount), Contacts: 2+PE, 8.0 - 10.0 mm, not shielded, screw clamp, IP40 without seal, VDE, ESTI+</b>
Area	<b>Size A series 210</b>
Order number	<b>43 1726 112 03</b>

## Security notices

The connector must not be connected or separated under load. Non-observance and incorrect use can result in personal injury.

The connectors are designed for use in plant, control system and electrical equipment. The end user is responsible for checking whether the connectors are suitable for use in other applications.

Connectors used in electrical circuits containing hazardous life parts must only be assembled and used by or under the supervision of persons with the requisite electrotechnical training, taking the applicable regulations and standards into account.

Connectors with degree of protection IP 67 and IP 68 are not suitable for use under water. When used outdoors, the connectors must be separately protected against corrosion. For further information about IP degrees of protection refer to 'Technical support' in the Download Centre.