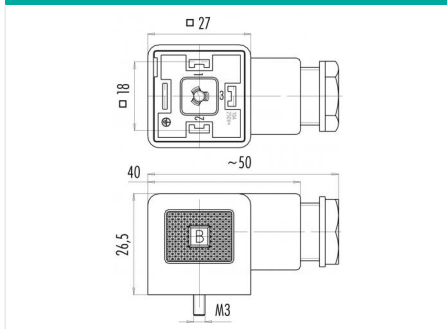


| | |
|---------------------|---|
| Product description | Size A female connector (panel mount), Contacts: 2+PE, 8.0 - 10.0 mm, not shielded, screw clamp, IP40 without seal, UL, ESTI+, VDE |
| Area | Size A series 210 |
| Order number | 43 1700 002 03 |

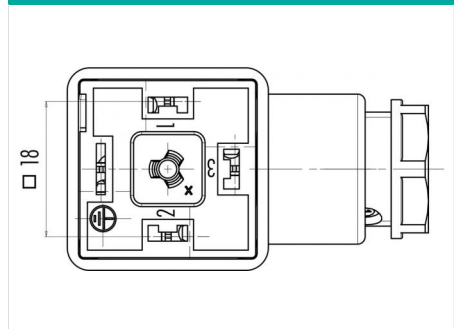
Illustration



Scale drawing



Contact arrangement (Plug-in side)



You can find the component part drawing on the next page.

Technical data

General values

| | |
|--------------------------|---------------------------------------|
| Connector design | female connector (panel mount) |
| Connector locking system | central bolt |
| Termination | screw clamp |
| Wire gauge (mm) | min. 0.34 - max. 1.50 mm ² |
| Cable outlet | 8.0 - 10.0 mm |
| Upper limit temperature | 120 °C |
| Lower limit temperature | - 30 °C |
| Customs tariff number | 85369010 |
| Packaging Unit | 200 |

Cable data

| | |
|------------|-------|
| Approval 1 | UL |
| Approval 2 | ESTI+ |
| Approval 3 | VDE |

Electrical values

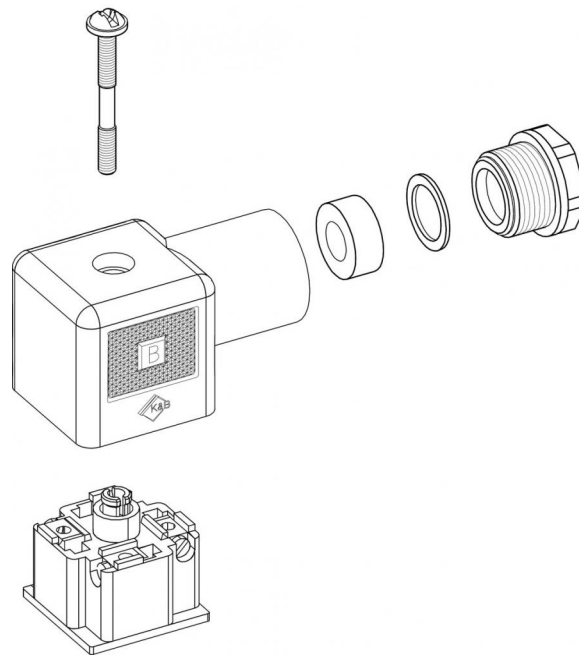
| | |
|---------------------------|--|
| Rated current (40 °C) | 10 A |
| Rated voltage | 250 V |
| Rated impulse voltage | 4000 V |
| Pollution degree | 3 |
| Overvoltage category | III |
| Insulating material group | III |
| EMC compliance | not shielded |
| Degree of protection | IP40 without seal IP65 with seal, see accessories |
| Mechanical operation | > 50 Mating cycles |

Material

| | |
|-----------------------|----------------------|
| Contact material | CuSn (bronze) |
| Contact plating | Ni (nickel) |
| Contact body material | PA (UL94 HB) |
| Housing material | PA |
| REACH SVHC | CAS 7439-92-1 (Lead) |

| | |
|---------------------|---|
| Product description | Size A female connector (panel mount), Contacts: 2+PE, 8.0 - 10.0 mm, not shielded, screw clamp, IP40 without seal, UL, ESTI+, VDE |
| Area | Size A series 210 |
| Order number | 43 1700 002 03 |

Component part drawing



| | |
|---------------------|---|
| Product description | Size A female connector (panel mount), Contacts: 2+PE, 8.0 - 10.0 mm, not shielded, screw clamp, IP40 without seal, UL, ESTI+, VDE |
| Area | Size A series 210 |
| Order number | 43 1700 002 03 |

Security notices

The connector must not be connected or separated under load. Non-observance and incorrect use can result in personal injury.

The connectors are designed for use in plant, control system and electrical equipment. The end user is responsible for checking whether the connectors are suitable for use in other applications.

Connectors used in electrical circuits containing hazardous life parts must only be assembled and used by or under the supervision of persons with the requisite electrotechnical training, taking the applicable regulations and standards into account.

Connectors with degree of protection IP 67 and IP 68 are not suitable for use under water. When used outdoors, the connectors must be separately protected against corrosion. For further information about IP degrees of protection refer to 'Technical support' in the Download Centre.