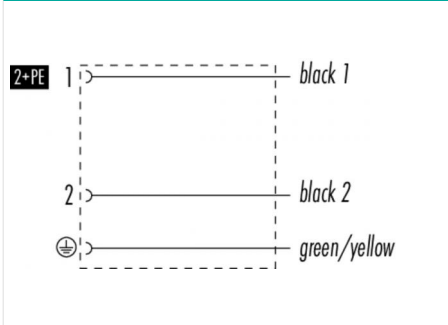


Product description	Size B (industry) solenoid socket, Contacts: 2+PE, unshielded, moulded on cable, IP67, PUR black
Area	Size B (industry) series 220
Order number	30 5535 300 000

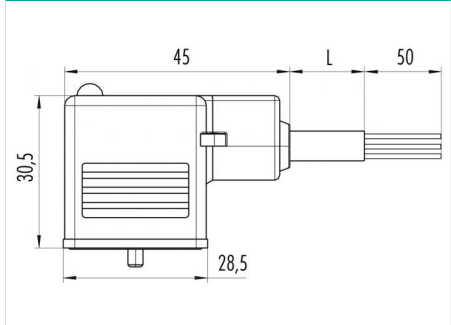
## Illustration



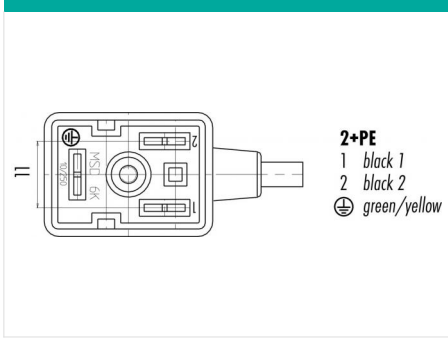
## Cable design



## Scale drawing



## Contact arrangement (Plug-in side)



## Technical data

### General values

Notice	Please note that, due to the change from the old to the new order number, there may be deviations in the technical specifications. For questions about product details, please use the 'Contact Customer Service' form on the right.
Connector design	solenoid socket
Connector locking system	central bolt
Termination	moulded on cable
Wire gauge (mm)	0.75 mm <sup>2</sup>
Wire gauge (AWG)	AWG 18
Upper limit temperature	80 °C
Lower limit temperature	-25 °C
Customs tariff number	85444290

### Electrical values

Rated current (40 °C)	10 A
Rated voltage	230 V
Rated impulse voltage	4000 V
Pollution degree	3
Overvoltage category	III
Insulating material group	I
Insulation resistance	≥ 10 <sup>10</sup> Ω
EMC compliance	unshielded
Degree of protection	IP67
Mechanical operation	> 50 Mating cycles

### Material

Contact material	CuSn (bronze)
Contact plating	Sn (tin)
Contact body material	PA

Product description	Size B (industry) solenoid socket, Contacts: 2+PE, unshielded, moulded on cable, IP67, PUR black
Area	Size B (industry) series 220
Order number	30 5535 300 000

## Technical data

### Cable data

Cable length	3 m
Sheath material	PUR
Halogen free	Yes
Single-lead structure	3 x 0,75 mm
Cable diameter	5.9 mm
Cable color	black

Product description	Size B (industry) solenoid socket, Contacts: 2+PE, unshielded, moulded on cable, IP67, PUR black
Area	Size B (industry) series 220
Order number	30 5535 300 000

## Security notices

The connector must not be plugged or unplugged under load. Non-observance and improper use can result in personal injury.

The connectors have been developed for applications in plant engineering, control and electrical equipment construction. The user is responsible for checking whether the connectors can also be used in other areas of application.

Connectors which are used in circuits with voltages dangerous to the touch may only be installed and used by, or under the supervision of, persons with electrical engineering training, taking into account the applicable regulations and standards.

The user must take appropriate safety precautions to ensure that the connector cannot be accidentally disconnected. In addition, the user must ensure that the cable is suitably secured.