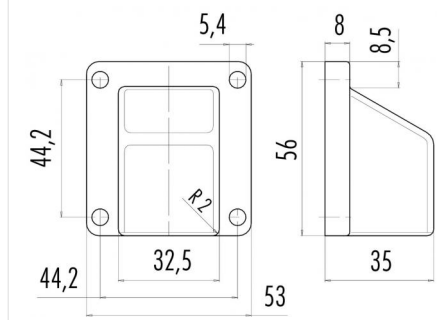


| | |
|---------------------|--|
| Product description | RD24 - surface-mounted housing; series 692/693 |
| Order number | 16 0566 00 00 |

Illustration



Scale drawing



Technical data

Matching products

- 09 0211 00 04 - Male panel mount connector 3+PE, screw clamp termination
- 09 4223 00 04 - Male panel mount connector 3+PE, screw clamp termination, printed
- 09 0215 00 07 - Male panel mount connector 6+PE, solder termination
- 09 4227 00 07 - Male panel mount connector 6+PE, solder termination
- 09 0219 00 07 - Male panel mount connector 6+PE, screw clamp termination
- 09 4219 00 07 - Male panel mount connector 6+PE, screw clamp termination, printed
- 09 0203 00 07 - Male panel mount connector 6+PE, crimp termination
- 09 4203 00 07 - Male panel mount connector 6+PE, crimp termination, printed
- 09 0212 00 04 - Female panel mount connector 3+PE, screw clamp termination
- 09 4224 00 04 - Female panel mount connector 3+PE, screw clamp termination, printed
- 09 0216 00 07 - Female panel mount connector 6+PE, solder termination
- 09 4228 00 07 - Female panel mount connector 6+PE, solder termination, printed
- 09 0220 00 07 - Female panel mount connector 6+PE, screw clamp termination
- 09 4220 00 07 - Female panel mount connector 6+PE, screw clamp termination, printed
- 09 0204 00 07 - Female panel mount connector 6+PE, crimp termination
- 09 4204 00 07 - Female panel mount connector 6+PE, crimp termination, printed