

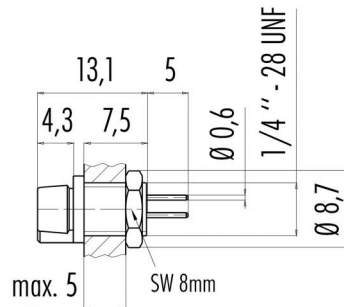
Product description **Snap-In IP40 female panel mount connector, Contacts: 5, dip-solder, IP40**

Area **Snap-In IP40 series 719 · 709**
Order number **09 9792 20 05**

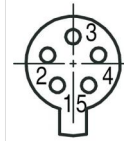
Illustration



Scale drawing



Contact arrangement (Plug-in side)



	X	Y
1	-0,88	-1,21
2	-1,42	0,46
3	0,00	1,49
4	1,42	0,46
5	0,88	-1,21

You can find the component part drawing and assembly instructions on the next page.

Technical data

General values

Connector design	female panel mount connector
Connector locking system	snap
Termination	dip-solder
Upper limit temperature	70 °C
Lower limit temperature	-25 °C
Customs tariff number	85369010

Electrical values

Rated current (40 °C)	3 A
Rated voltage	60 V
Rated impulse voltage	800 V
Pollution degree	1
Overvoltage category	II
Insulating material group	III
Insulation resistance	$\geq 10^{10} \Omega$
Degree of protection	IP40
Mechanical operation	> 100 Mating cycles

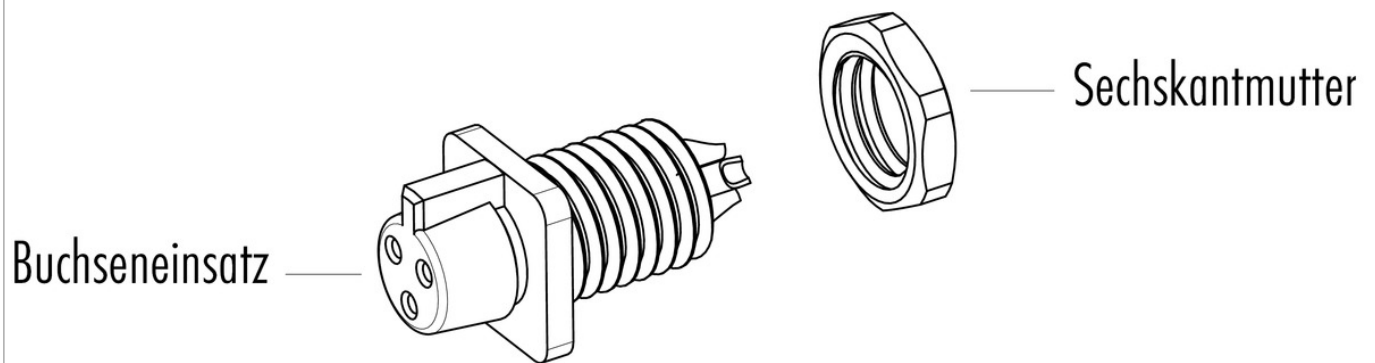
Material

Contact material	CuSn (bronze)
Contact plating	Au (gold)
Contact body material	PA
Housing material	PA
REACH SVHC	CAS 7439-92-1 (Lead)

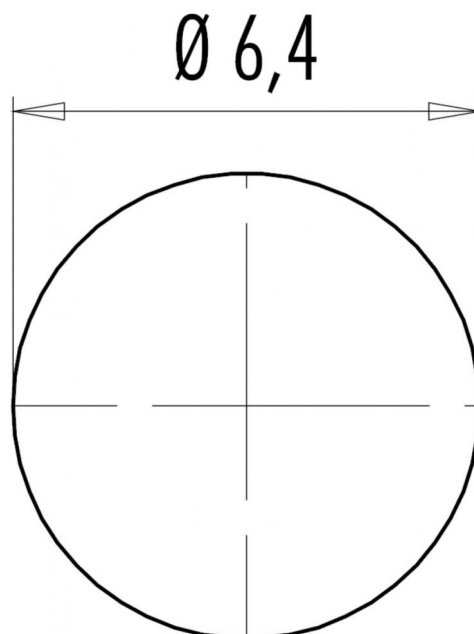
Product description **Snap-In IP40 female panel mount connector, Contacts: 5, dip-solder, IP40**

Area **Snap-In IP40 series 719 · 709**
Order number **09 9792 20 05**

Component part drawing



Assembly instructions / Panel cut-out



Product description	Snap-In IP40 female panel mount connector, Contacts: 5, dip-solder, IP40
Area	Snap-In IP40 series 719 · 709
Order number	09 9792 20 05

Security notices

The connectors have been developed for applications in plant engineering, control and electrical equipment construction. The user is responsible for checking whether the connectors can also be used in other areas of application.