

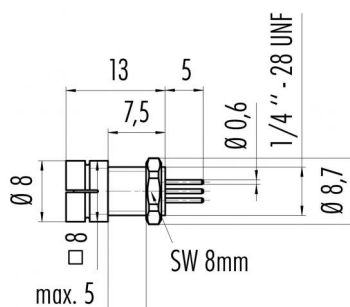
Product description Snap-In IP40 male panel mount connector, Contacts: 3, unshielded, dip-solder, IP40

Area Snap-In IP40 series 719 · 709  
Order number 09 9749 20 03

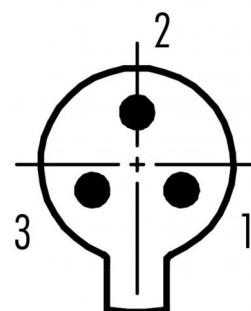
### Illustration



### Scale drawing



### Contact arrangement (Plug-in side)



You can find the component part drawing and assembly instructions on the next page.

## Technical data

### General values

Connector design	male panel mount connector
Connector locking system	snap
Termination	dip-solder
Upper limit temperature	70 °C
Lower limit temperature	-25 °C
Customs tariff number	85369010

### Electrical values

Rated current (40 °C)	3 A
Rated voltage	60 V
Rated impulse voltage	800 V
Pollution degree	1
Overvoltage category	II
Insulating material group	III
Insulation resistance	$\geq 10^{10} \Omega$
EMC compliance	unshielded
Degree of protection	IP40
Mechanical operation	> 100 Mating cycles

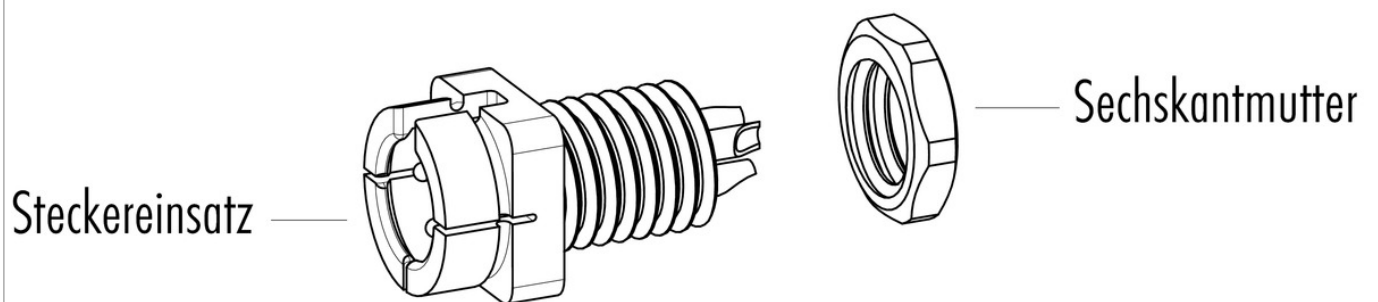
### Material

Contact material	CuZn (brass)
Contact plating	Au (gold)
Contact body material	PA
Housing material	PA
REACH SVHC	CAS 7439-92-1 (Lead)

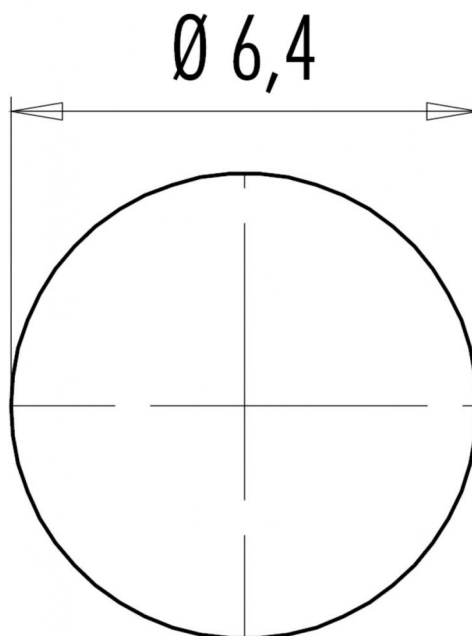
Product description Snap-In IP40 male panel mount connector, Contacts: 3, unshielded, dip-solder, IP40

Area Snap-In IP40 series 719 · 709  
Order number 09 9749 20 03

Component part drawing



Assembly instructions / Panel cut-out



Product description	Snap-In IP40 male panel mount connector, Contacts: 3, unshielded, dip-solder, IP40
Area	Snap-In IP40 series 719 · 709
Order number	09 9749 20 03

## Security notices

The connectors have been developed for applications in plant engineering, control and electrical equipment construction. The user is responsible for checking whether the connectors can also be used in other areas of application.