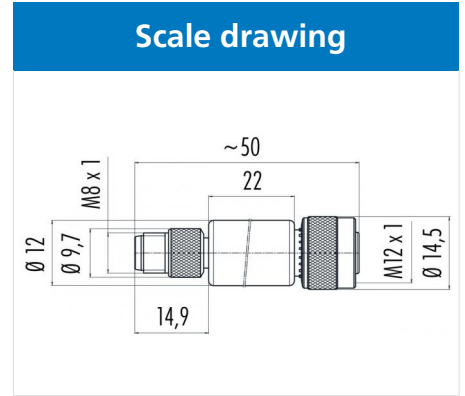
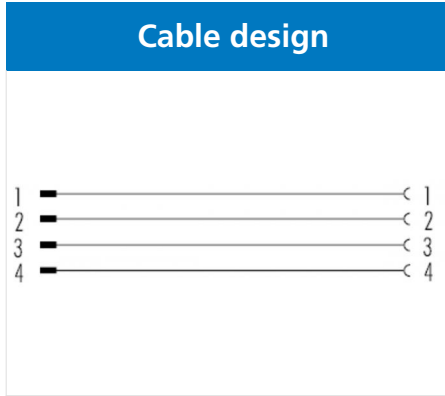


Product description **M12-A adapter, Contacts: 4, unshielded, pluggable, IP67**

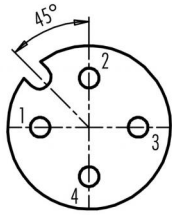
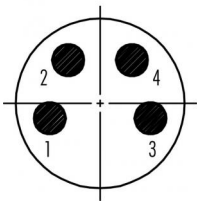
Area **M12-A series 765**
 Order number **09 5284 00 04**



Contact arrangement (Plug-in side)

Stifteinsatz M8
Male insert M8

Buchseinsatz M12
Female insert M12



Technical data

General values

Connector design	adapter
Connector locking system	screw
Termination	pluggable
Upper limit temperature	85 °C
Lower limit temperature	-25 °C
Customs tariff number	85369010

Electrical values

Rated current (40 °C)	4 A
Rated voltage	30 V
Rated impulse voltage	800 V
Pollution degree	3
Overvoltage category	II
Insulating material group	II
EMC compliance	unshielded
Degree of protection	IP67
Mechanical operation	> 100 Mating cycles

Material

Contact material	Pin: CuZn (brass) / Socket: CuSn (bronze)
Contact plating	Au (gold)
Contact body material	PA/PUR
Housing material	Macromelt
Locking material	Zinc die-cast nickel-plated
REACH SVHC	CAS 7439-92-1 (Lead)

Product description **M12-A adapter, Contacts: 4, unshielded, pluggable, IP67**

Area **M12-A series 765**
Order number **09 5284 00 04**

Security notices

The connectors have been developed for applications in plant engineering, control and electrical equipment construction. The user is responsible for checking whether the connectors can also be used in other areas of application.

Plug connectors with enclosure protection IP 67 and IP 68 are not suitable for use under water. When used outdoors, the plug connectors must be protected separately against corrosion. For further information on the IP protection classes, please refer to the "Technical Information" download centre. To lock the cable connector with the device connector, the threaded ring is tightened "hand-tight" (approx. 50 cNm).