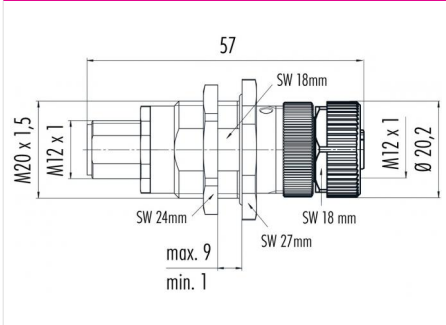


Product description	M12-B adapter, Contacts: 4, shielded, pluggable, IP67, UL
Area	M12-B series 715
Order number	09 5242 00 04

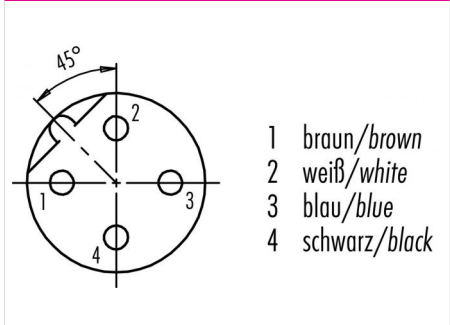
Illustration



Scale drawing



Contact arrangement (Plug-in side)



You can find the assembly instructions on the next page.

Technical data

General values

Connector design	adapter
Connector locking system	screw
Termination	pluggable
Upper limit temperature	85 °C
Lower limit temperature	-40 °C
Customs tariff number	85369010

Electrical values

Rated current (40 °C)	4 A
Rated voltage	60 V
Rated impulse voltage	1500 V
Pollution degree	3
Overvoltage category	II
Insulating material group	II
Insulation resistance	> 10 ⁸ Ω
EMC compliance	shielded
Degree of protection	IP67
Mechanical operation	> 100 Mating cycles

Material

Contact material	CuZn (brass)
Contact plating	Au (gold)
Contact body material	PA
REACH SVHC	CAS 7439-92-1 (Lead)

authorization/approvals

Approval 1	UL
------------	----

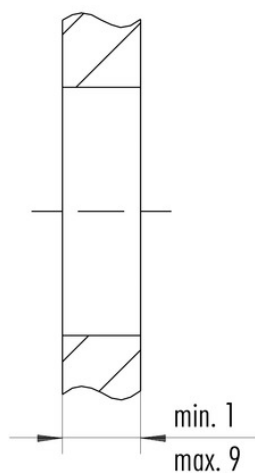
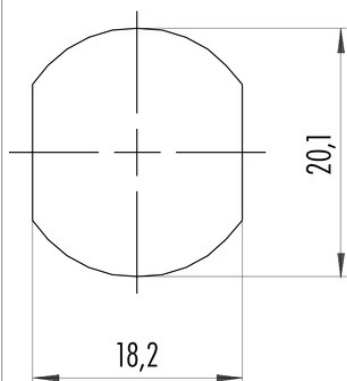
Product description M12-B adapter, Contacts: 4, shielded, pluggable, IP67, UL

Area M12-B series 715

Order number 09 5242 00 04

Assembly instructions / Panel cut-out

Schaltschrankdurchführung mit Durchgangsbohrung
Lead-through for control cabinet with bore hole



Anzugsdrehmoment/Tightening moment
1-1,2 Nm

Product description	M12-B adapter, Contacts: 4, shielded, pluggable, IP67, UL
Area	M12-B series 715
Order number	09 5242 00 04

Security notices

The connector must not be plugged or unplugged under load. Non-observance and improper use can result in personal injury.

The connectors have been developed for applications in plant engineering, control and electrical equipment construction. The user is responsible for checking whether the connectors can also be used in other areas of application.

Connectors which are used in circuits with voltages dangerous to the touch may only be installed and used by, or under the supervision of, persons with electrical engineering training, taking into account the applicable regulations and standards.

Plug connectors with enclosure protection IP 67 and IP 68 are not suitable for use under water. When used outdoors, the plug connectors must be protected separately against corrosion. For further information on the IP protection classes, please refer to the "Technical Information" download centre. To lock the cable connector with the device connector, the threaded ring is tightened "hand-tight" (approx. 50 cNm).