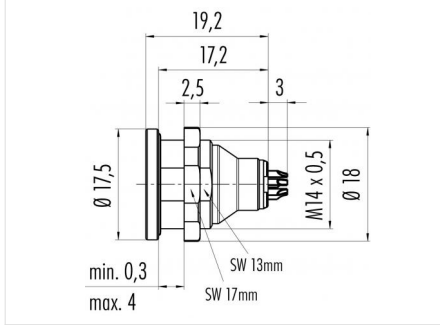


Product description **Push-Pull female panel mount connector, Contacts: 8, unshielded, solder, IP40**  
 Area **Push-Pull series 430**  
 Order number **09 4932 025 08**

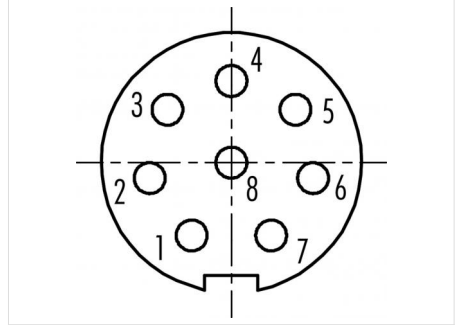
### Illustration



### Scale drawing



### Contact arrangement (Plug-in side)



You can find the component part drawing and assembly instructions on the next page.

## Technical data

### General values

Connector design	female panel mount connector
Connector locking system	Push-Pull
Termination	solder
Wire gauge (mm)	0.14 mm <sup>2</sup>
Wire gauge (AWG)	AWG 26
Upper limit temperature	85 °C
Lower limit temperature	-40 °C
Customs tariff number	85369010

### Electrical values

Rated current (40 °C)	1 A
Rated voltage	125 V
Rated impulse voltage	1500 V
Pollution degree	2
Overvoltage category	I
Insulating material group	II
EMC compliance	unshielded
Degree of protection	IP40
Mechanical operation	> 500 Mating cycles

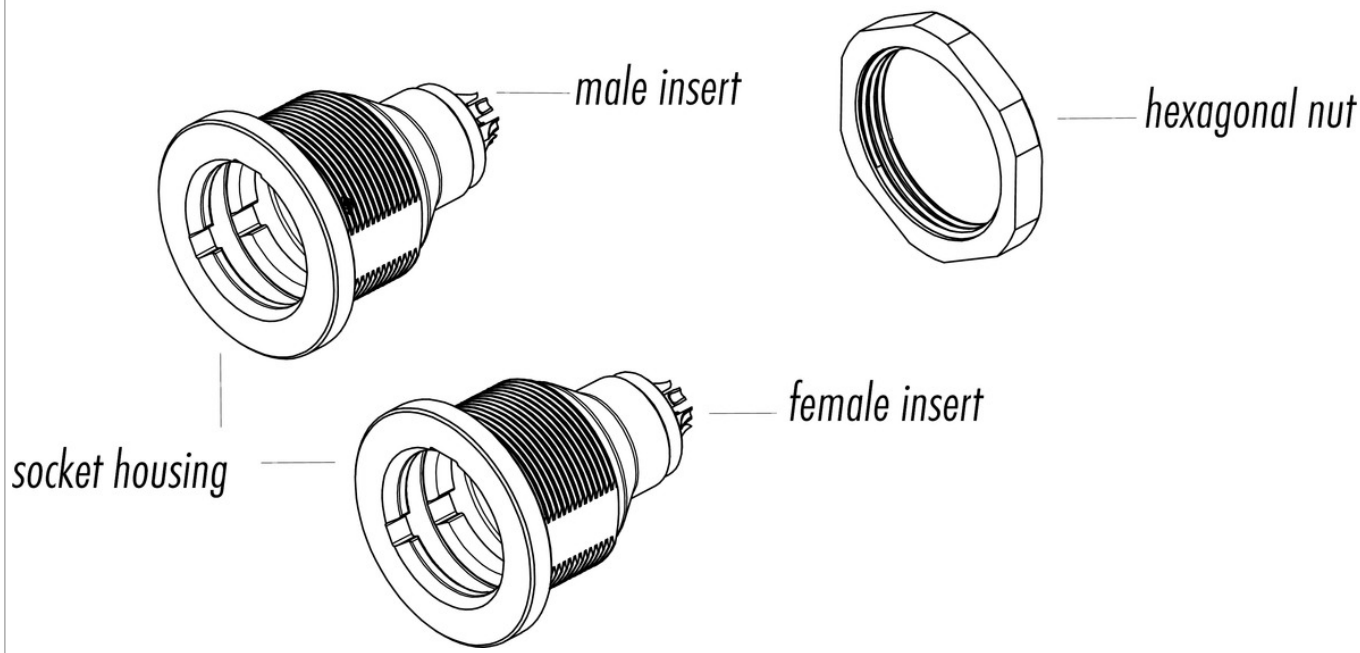
### Material

Contact material	CuSn (bronze)
Contact plating	Au (gold)
Contact body material	PUR/PA
REACH SVHC	CAS 7439-92-1 (Lead)

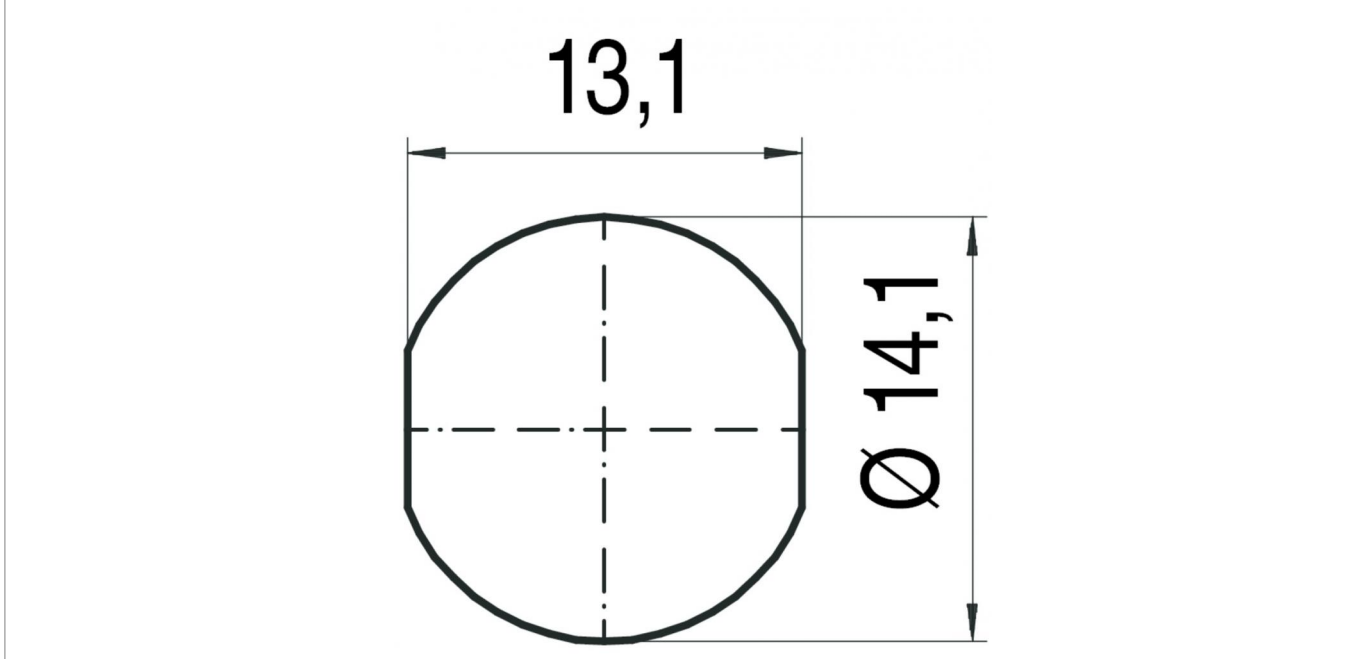
Product description Push-Pull female panel mount connector, Contacts: 8, unshielded, solder, IP40

Area Push-Pull series 430  
Order number 09 4932 025 08

### Component part drawing



### Assembly instructions / Panel cut-out



Product description	<b>Push-Pull female panel mount connector, Contacts: 8, unshielded, solder, IP40</b>
Area	<b>Push-Pull series 430</b>
Order number	<b>09 4932 025 08</b>

## Security notices

The connector must not be plugged or unplugged under load. Non-observance and improper use can result in personal injury.

The connectors have been developed for applications in plant engineering, control and electrical equipment construction. The user is responsible for checking whether the connectors can also be used in other areas of application.

Connectors which are used in circuits with voltages dangerous to the touch may only be installed and used by, or under the supervision of, persons with electrical engineering training, taking into account the applicable regulations and standards.