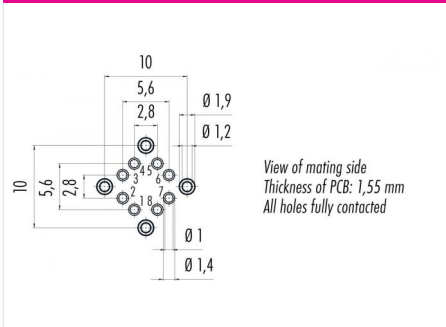


Product description	M12-X contact insert, Contacts: 8, shieldable, dip-solder, IP67, UL
Area	M12-X series 876
Order number	09 3782 200 08

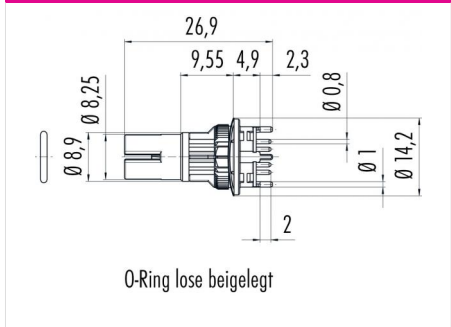
Illustration



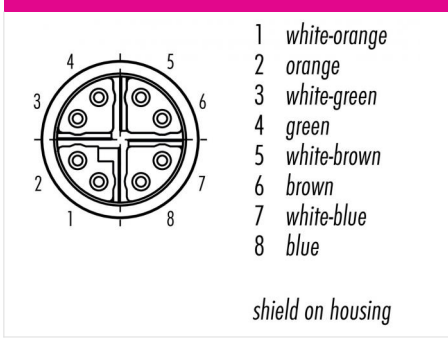
Conductor layout



Scale drawing



Contact arrangement (Plug-in side)



You can find the component part drawing on the next page.

Technical data

General values

Connector design	contact insert
Connector locking system	screw
Termination	dip-solder
Upper limit temperature	85 °C
Lower limit temperature category	-40 °C
Customs tariff number	CAT 6A 85369010

Electrical values

Rated current (40 °C)	0,5 A
Rated voltage	50 V AC / 60 V DCV
Pollution degree	3
Overvoltage category	II
Insulating material group	III
Insulation resistance	> 10 ⁸ Ω
EMC compliance	shieldable
Degree of protection	IP67
Mechanical operation	> 100 Mating cycles

Material

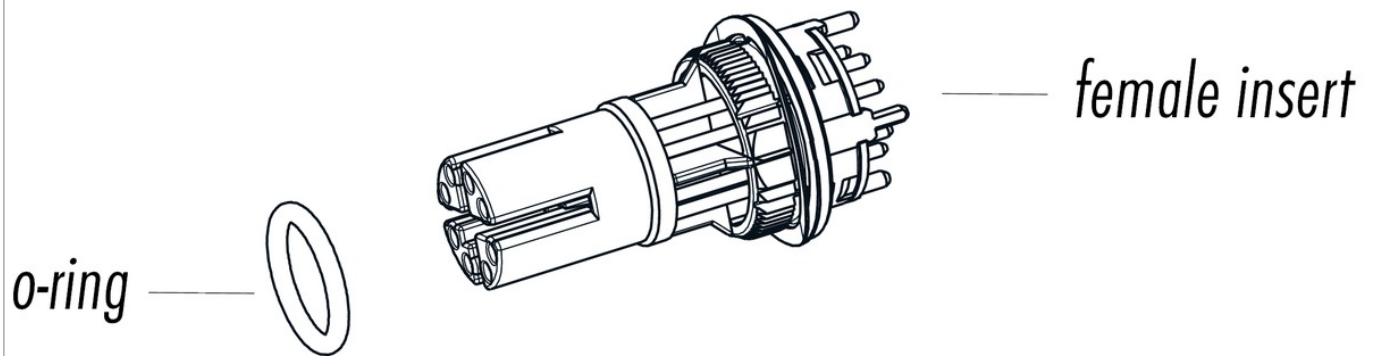
Contact material	CuSn (bronze)
Contact plating	Au (gold)
Contact body material	PA
Housing material	Zinc die-cast nickel-plated
Locking material	CuZn (Brass nickel plated)
REACH SVHC	CAS 7439-92-1 (Lead)

authorization/approvals

Approval 1	UL
------------	----

Product description	M12-X contact insert, Contacts: 8, shieldable, dip-solder, IP67, UL
Area	M12-X series 876
Order number	09 3782 200 08

Component part drawing



Product description	M12-X contact insert, Contacts: 8, shieldable, dip-solder, IP67, UL
Area	M12-X series 876
Order number	09 3782 200 08

Security notices

The connectors have been developed for applications in plant engineering, control and electrical equipment construction. The user is responsible for checking whether the connectors can also be used in other areas of application.

Plug connectors with enclosure protection IP 67 and IP 68 are not suitable for use under water. When used outdoors, the plug connectors must be protected separately against corrosion. For further information on the IP protection classes, please refer to the "Technical Information" download centre. To lock the cable connector with the device connector, the threaded ring is tightened "hand-tight" (approx. 60 cNm).