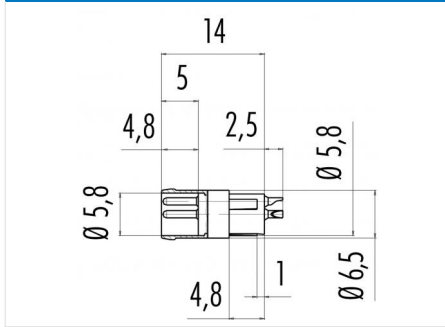


Product description **M8 integrated plug, Contacts: 3, unshielded, solder, IP65**
 Area **M8 series 718**
 Order number **09 3411 00 03**

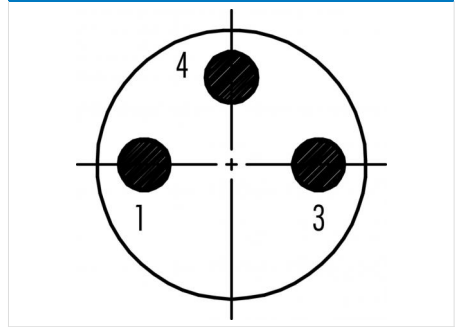
Illustration



Scale drawing



Contact arrangement (Plug-in side)



You can find the assembly instructions on the next page.

Technical data

General values

Connector design integrated plug
 Connector locking system snap
 Termination solder
 Wire gauge (mm) 0.25 mm²
 Wire gauge (AWG) AWG 24
 Upper limit temperature 70 °C
 Lower limit temperature -25 °C
 Customs tariff number 85369010

Electrical values

Rated current (40 °C) 4 A
 Rated voltage 60 V
 Rated impulse voltage 800 V
 Pollution degree 3
 Overvoltage category II
 Insulating material group II
 EMC compliance unshielded
 Degree of protection IP65
 Mechanical operation > 100 Mating cycles

Material

Contact material CuZn (brass)
 Contact plating Au (gold)
 Contact body material PA
 Housing material CuZn (Brass nickel plated)
 REACH SVHC CAS 7439-92-1 (Lead)

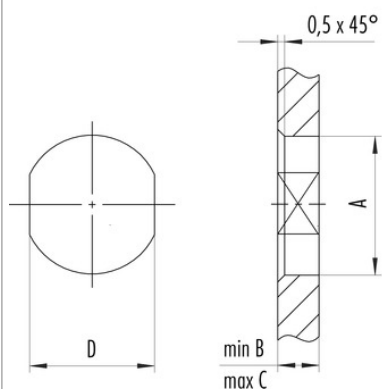
Product description **M8 integrated plug, Contacts: 3, unshielded, solder, IP65**

Area **M8 series 718**
Order number **09 3411 00 03**

Assembly instructions / Panel cut-out

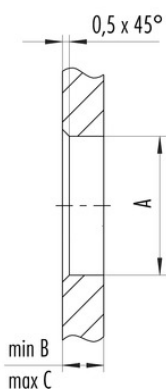
1. Einbauvorschlag

Mit Fläche als Verdrehschutz



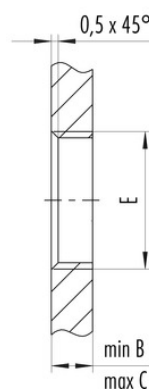
2. Einbauvorschlag

Mit Durchgangsbohrung



3. Einbauvorschlag

Mit Gewinde, einschraubbar



Gewinde E	A	B	C	D
M8 x 0,5	8,1	2,5	3,5	7,1
M8 x 1	8,1	2,5	3,5	7,1
M10 x 0,75	10,1	2,5	5,0	9,1

Anzugsdrehmoment 1 Nm

Product description **M8 integrated plug, Contacts: 3, unshielded, solder, IP65**

Area **M8 series 718**

Order number **09 3411 00 03**

Security notices

The connectors have been developed for applications in plant engineering, control and electrical equipment construction. The user is responsible for checking whether the connectors can also be used in other areas of application.

Plug connectors with enclosure protection IP 67 and IP 68 are not suitable for use under water. When used outdoors, the plug connectors must be protected separately against corrosion. For further information on the IP protection classes, please refer to the "Technical Information" download centre.