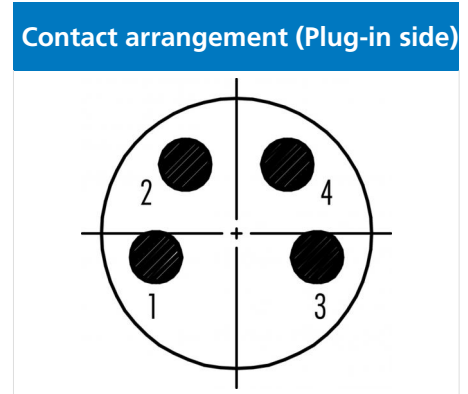
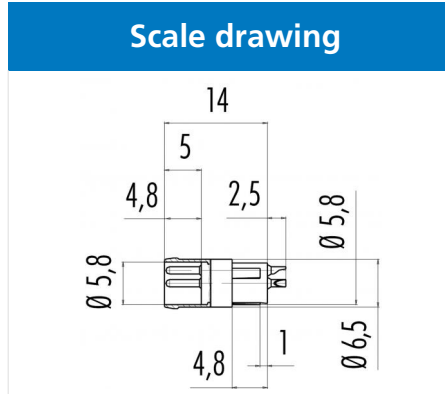
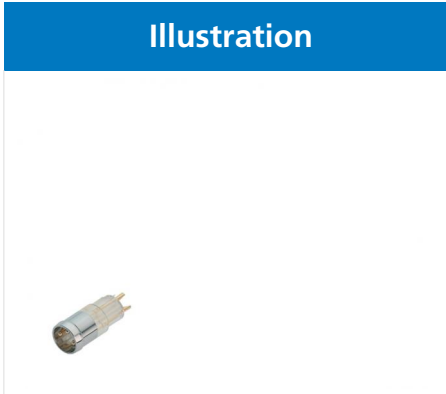


Product description **M8 integrated plug, Contacts: 4, unshielded, solder, IP65**
 Area **M8 series 718**
 Order number **09 3389 00 04**



You can find the assembly instructions on the next page.

Technical data

General values

Connector design	integrated plug
Connector locking system	snap
Termination	solder
Wire gauge (mm)	0.25 mm ²
Wire gauge (AWG)	AWG 24
Upper limit temperature	70 °C
Lower limit temperature	-40 °C
Customs tariff number	85369010

Electrical values

Rated current (40 °C)	4 A
Rated voltage	60 V
Rated impulse voltage	800 V
Pollution degree	3
Overvoltage category	II
Insulating material group	II
EMC compliance	unshielded
Degree of protection	IP65
Mechanical operation	> 100 Mating cycles

Material

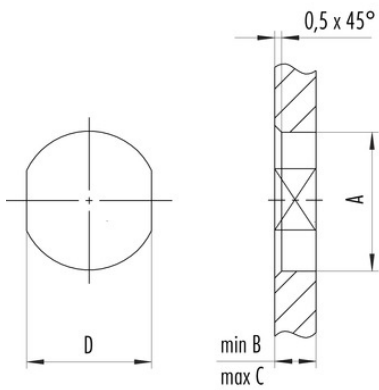
Contact material	CuZn (brass)
Contact plating	Au (gold)
Contact body material	PA
Housing material	CuZn (Brass nickel plated)
REACH SVHC	CAS 7439-92-1 (Lead)

Product description **M8 integrated plug, Contacts: 4, unshielded, solder, IP65**
 Area **M8 series 718**
 Order number **09 3389 00 04**

Assembly instructions / Panel cut-out

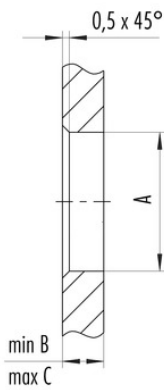
1. Einbauvorschlag

Mit Fläche als Verdrehschutz



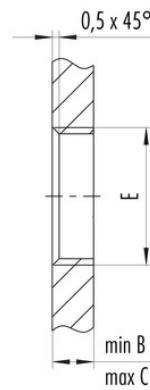
2. Einbauvorschlag

Mit Durchgangsbohrung



3. Einbauvorschlag

Mit Gewinde, einschraubbar



Gewinde E	A	B	C	D
M8 x 0,5	8,1	2,5	3,5	7,1
M8 x 1	8,1	2,5	3,5	7,1
M10 x 0,75	10,1	2,5	5,0	9,1

Anzugsdrehmoment 1 Nm

Product description **M8 integrated plug, Contacts: 4, unshielded, solder, IP65**

Area **M8 series 718**
Order number **09 3389 00 04**

Security notices

The connectors have been developed for applications in plant engineering, control and electrical equipment construction. The user is responsible for checking whether the connectors can also be used in other areas of application.

Plug connectors with enclosure protection IP 67 and IP 68 are not suitable for use under water. When used outdoors, the plug connectors must be protected separately against corrosion. For further information on the IP protection classes, please refer to the "Technical Information" download centre.